



MOTO GUZZI®

CATALOGUS RESERVEONDERDELEN



V7 III Anniversario 750 e4 2017 (APAC)

Voorvoegsel frame: ZGULDE00

Voorvoegsel motor:

Inhoudsopgave

| | |
|---|----|
| Afgewerkte producten..... | 4 |
| Alfanumerieke inhoudsopgave..... | 5 |
| Frame..... | 10 |
| Tafel 01.010 - Frame..... | 10 |
| Tafel 01.020 - Voetensteunen..... | 11 |
| Tafel 01.030 - Standaard..... | 12 |
| Tafel 01.050 - Vork..... | 13 |
| Carrosserie..... | 14 |
| Tafel 02.030 - voorste spatbord-Punt..... | 14 |
| Tafel 02.100 - Carrosserie centr..... | 15 |
| Tafel 02.120 - Zadel..... | 16 |
| Tafel 02.140 - Carrosserie acht..... | 17 |
| Tafel 02.150 - Achterste spatbord..... | 18 |
| Tafel 02.170 - Sloten..... | 19 |
| Tafel 02.180 - Plaatjes..... | 20 |
| Tafel 02.190 - Plaat..... | 21 |
| Motor..... | 22 |
| Tafel 03.010 - Motor-Completering..... | 22 |
| Tafel 03.020 - Gear lever..... | 23 |
| Tafel 03.030 - Carters I..... | 24 |
| Tafel 03.050 - Filterkast..... | 25 |
| Tafel 03.060 - Vlinderromp..... | 26 |
| Tafel 03.090 - Kopdeksel..... | 27 |
| Tafel 03.100 - Kop - kleppen..... | 28 |
| Tafel 03.120 - Timing system..... | 29 |
| Tafel 03.150 - Cilinder-Zuiger..... | 30 |
| Tafel 03.160 - Drijfjas..... | 31 |
| Tafel 03.170 - Versnellingsbak / Keuzeschakelaar / Shift cam..... | 32 |
| Tafel 03.180 - Versnellingsbak - Gear assembly..... | 34 |
| Tafel 03.190 - Smering..... | 36 |
| Tafel 03.196 - Blow-by system..... | 37 |
| Tafel 03.230 - Koppeling..... | 38 |
| Tafel 03.270 - Vliegwieldeksel..... | 40 |
| Tafel 03.290 - Start / Electric start..... | 41 |
| Tafel 03.300 - Vliegwielmagneet / Ontsteking..... | 42 |
| Tafel 03.320 - Secundaire lucht..... | 43 |
| Tafel 03.330 - Uitlaat..... | 44 |
| Tafel 03.340 - Transmissie acht..... | 46 |
| Tafel 03.350 - Achter transmissie / Components..... | 47 |
| Suspensions..... | 50 |
| Tafel 04.060 - Voorvork Kaifa..... | 50 |
| Tafel 04.080 - Schokdemper..... | 51 |
| Wielen..... | 52 |

| | |
|--|----|
| Tafel 05.010 - Voorwiel..... | 52 |
| Tafel 05.020 - Achterwiel..... | 53 |
| Reminstallatie | 54 |
| Tafel 06.010 - Pomp voorrem..... | 54 |
| Tafel 06.020 - Tang van de voorrem..... | 55 |
| Tafel 06.030 - Pomp van de achterrem..... | 56 |
| Tafel 06.040 - Tang van de achterrem..... | 57 |
| Tafel 06.050 - Reminstallatie ABS..... | 58 |
| Stuur - Commando"s..... | 59 |
| Tafel 07.010 - Stuur..... | 59 |
| Tafel 07.020 - Stuur - Commando"s..... | 60 |
| Tafel 07.030 - Commando van de koppeling..... | 61 |
| Voorverlichting - Instrumenten..... | 62 |
| Tafel 08.010 - Voorverlichting..... | 62 |
| Tafel 08.020 - Instrumenten..... | 63 |
| Tafel 08.030 - Achterste verlichting..... | 64 |
| Tank..... | 65 |
| Tafel 09.010 - Benzinetank..... | 65 |
| Tafel 09.020 - Installatie recup. benzinedampen..... | 66 |
| Elektr. mechanismen..... | 67 |
| Tafel 11.010 - Elektr. inst. voor..... | 67 |
| Tafel 11.020 - Elektr. inst. cent..... | 68 |
| Tafel 11.030 - Elektr. inst. acht..... | 69 |

Afgewerkte producten

| Code | Geldigheid |
|----------------|------------|
| GU9032120ASH01 | |
| GU9032120AUH01 | |
| GU9032120JPH01 | |
| GU9032120ZCH01 | |

| Code | N.Tafel | Pos. | Code | N.Tafel | Pos. | Code | N.Tafel | Pos. |
|-------------|---------|------|------------|---------|------|-----------|---------|------|
| 006630 | 03.270 | 8 | 1A0066690V | 03.160 | 8 | 2A000597 | 03.320 | 3 |
| 00H02402282 | 06.050 | 11 | 1A006716 | 03.090 | 4 | 2A000608 | 03.060 | 8 |
| 013763 | 03.190 | 14 | 1A006860 | 03.030 | 19 | 2A000609 | 03.060 | 3 |
| 013763 | 08.020 | 2 | 1A006861 | 03.120 | 16 | 2A000612 | 03.060 | 7 |
| 030072 | 02.140 | 10 | 1A0068695 | 03.100 | 10 | 2A000620 | 03.090 | 6 |
| 080341 | 11.020 | 19 | 1A0068705 | 03.100 | 11 | 2A000625 | 03.180 | 5 |
| 1A000360 | 03.180 | 7 | 1A0068960B | 03.160 | 2 | 2A000627 | 03.180 | 13 |
| 1A000365 | 03.180 | 16 | 1A0068960G | 03.160 | 2 | 2A000629 | 03.180 | 30 |
| 1A000366 | 03.180 | 22 | 1A0068960R | 03.160 | 2 | 2A000631 | 03.230 | 21 |
| 1A000367 | 03.180 | 27 | 1A0069335 | 03.030 | 21 | 2A000633 | 03.190 | 5 |
| 1A000368 | 03.180 | 28 | 1A007008 | 03.190 | 22 | 2A000638 | 03.230 | 30 |
| 1A000369 | 03.180 | 29 | 1A007070 | 03.150 | 2 | 2A000659 | 03.090 | 2 |
| 1A000370 | 03.180 | 25 | 1A008576 | 03.120 | 25 | 2A000724 | 03.230 | 4 |
| 1A000436 | 03.180 | 10 | 1A008627 | 03.230 | 12 | 2A000741 | 03.230 | 31 |
| 1A000566 | 03.180 | 4 | 1A0089045 | 03.010 | 1 | 2A0007425 | 03.170 | 19 |
| 1A002604 | 03.180 | 24 | 1A0090945 | 03.150 | 8 | 2A0007505 | 03.170 | 6 |
| 1A002604 | 03.180 | 9 | 1C001499 | 01.030 | 9 | 2A000770 | 03.230 | 28 |
| 1A003444 | 11.020 | 14 | 1C001499 | 05.020 | 19 | 2A000774 | 03.230 | 6 |
| 1A003452 | 03.100 | 5 | 1C001499 | 11.010 | 4 | 2A000790 | 03.230 | 7 |
| 1A004442 | 03.190 | 15 | 1D001393 | 03.060 | 2 | 2A000823 | 03.350 | 10 |
| 1A004530 | 03.030 | 10 | 1D001450 | 09.010 | 7 | 2A0008365 | 03.170 | 1 |
| 1A004549 | 03.190 | 11 | 1D001549 | 11.010 | 7 | 2A000838 | 03.230 | 23 |
| 1A004550 | 03.030 | 1 | 237553 | 03.190 | 12 | 2A0009085 | 03.170 | 19 |
| 1A004750 | 03.100 | 8 | 248419 | 02.100 | 11 | 2A0009105 | 03.170 | 6 |
| 1A004751 | 03.100 | 4 | 248419 | 11.010 | 5 | 2B000215 | 03.330 | 11 |
| 1A004752 | 03.100 | 6 | 254485 | 02.150 | 21 | 2B000219 | 09.020 | 11 |
| 1A004903 | 03.120 | 13 | 254485 | 03.330 | 16 | 2B000221 | 11.010 | 3 |
| 1A004905 | 03.120 | 12 | 270793 | 08.020 | 12 | 2B000225 | 05.020 | 22 |
| 1A004907 | 03.120 | 14 | 285536 | 03.170 | 3 | 2B000276 | 06.050 | 22 |
| 1A004956 | 03.150 | 5 | 285536 | 03.190 | 24 | 2B000525 | 06.040 | 1 |
| 1A005199 | 03.190 | 3 | 292022 | 08.010 | 3 | 2B000909 | 09.010 | 9 |
| 1A005211 | 03.030 | 2 | 292723 | 08.010 | 2 | 2B000909 | 09.010 | 9 |
| 1A005257 | 03.190 | 13 | 2A000097 | 03.170 | 41 | 2B001009 | 03.020 | 15 |
| 1A005325AA | 03.160 | 6 | 2A000115 | 03.300 | 5 | 2B001035 | 01.010 | 3 |
| 1A005325BB | 03.160 | 6 | 2A000129 | 03.300 | 4 | 2B001088 | 01.030 | 2 |
| 1A005382 | 11.020 | 5 | 2A000203 | 03.180 | 20 | 2B001182 | 08.010 | 17 |
| 1A005424 | 03.100 | 2 | 2A000216 | 03.230 | 8 | 2B001197 | 06.020 | 1 |
| 1A005425 | 03.100 | 9 | 2A000219 | 03.170 | 12 | 2B001231 | 08.010 | 16 |
| 1A005712 | 03.120 | 1 | 2A000222 | 03.170 | 38 | 2B001557 | 06.050 | 2 |
| 1A0057145 | 03.120 | 24 | 2A000224 | 03.170 | 20 | 2B001558 | 06.050 | 3 |
| 1A005951 | 03.120 | 7 | 2A000225 | 03.170 | 23 | 2B001561 | 05.010 | 22 |
| 1A005955 | 03.120 | 19 | 2A000226 | 03.170 | 21 | 2B001564 | 06.050 | 14 |
| 1A006047 | 03.030 | 4 | 2A000227 | 03.170 | 22 | 2B001570 | 06.050 | 8 |
| 1A006053 | 03.190 | 27 | 2A000241 | 03.170 | 27 | 2B001591 | 04.060 | 14 |
| 1A006119 | 03.120 | 22 | 2A000241 | 03.170 | 28 | 2B001612 | 01.010 | 13 |
| 1A006127 | 03.120 | 23 | 2A000241 | 03.180 | 32 | 2B001614 | 06.050 | 15 |
| 1A006243 | 03.120 | 21 | 2A000306 | 03.170 | 27 | 2B001708 | 05.010 | 21 |
| 1A006283 | 03.030 | 17 | 2A000339 | 03.090 | 3 | 2B001748 | 08.030 | 6 |
| 1A006284 | 03.030 | 18 | 2A0003535 | 03.120 | 6 | 2B001783 | 02.150 | 14 |
| 1A006298 | 03.270 | 4 | 2A000375 | 03.230 | 14 | 2B001823 | 03.060 | 12 |
| 1A006541 | 03.100 | 1 | 2A000376 | 03.230 | 16 | 2B001930 | 06.010 | 4 |
| 1A006542 | 03.100 | 1 | 2A000378 | 03.230 | 32 | 2B001941 | 03.020 | 18 |
| 1A006543 | 03.100 | 1 | 2A000382 | 03.350 | 22 | 2B001959 | 01.050 | 9 |
| 1A0065490G | 03.150 | 7 | 2A000384 | 03.230 | 18 | 2B002171 | 01.020 | 21 |
| 1A0065490H | 03.150 | 7 | 2A000385 | 03.230 | 19 | 2B002189 | 06.030 | 9 |
| 1A0065490L | 03.150 | 7 | 2A000415 | 03.170 | 24 | 2B002194 | 04.080 | 4 |
| 1A0065490M | 03.150 | 7 | 2A000418 | 03.230 | 29 | 2B002195 | 01.010 | 19 |
| 1A006600AA | 03.160 | 7 | 2A000419 | 03.230 | 1 | 2B002195 | 04.080 | 6 |
| 1A006600BB | 03.160 | 7 | 2A000438 | 03.170 | 43 | 2B002195 | 07.020 | 12 |
| 1A006655 | 03.030 | 8 | 2A000467 | 03.170 | 15 | 2B002218 | 01.020 | 1 |
| 1A006656 | 03.030 | 7 | 2A000496 | 03.120 | 4 | 2B002219 | 01.020 | 2 |
| 1A006659 | 03.100 | 12 | 2A000521 | 03.120 | 9 | 2B002225 | 01.020 | 5 |
| 1A0066680G | 03.160 | 3 | 2A000527 | 03.120 | 27 | 2B002311 | 01.010 | 7 |
| 1A0066680N | 03.160 | 3 | 2A000528 | 03.120 | 8 | 2B002313 | 07.010 | 13 |
| 1A0066680V | 03.160 | 3 | 2A000565 | 03.090 | 1 | 2B002318 | 03.350 | 21 |
| 1A0066690G | 03.160 | 8 | 2A000579 | 03.120 | 5 | 2B002319 | 03.350 | 21 |
| 1A0066690N | 03.160 | 8 | 2A000591 | 03.170 | 37 | 2B002320 | 03.350 | 21 |

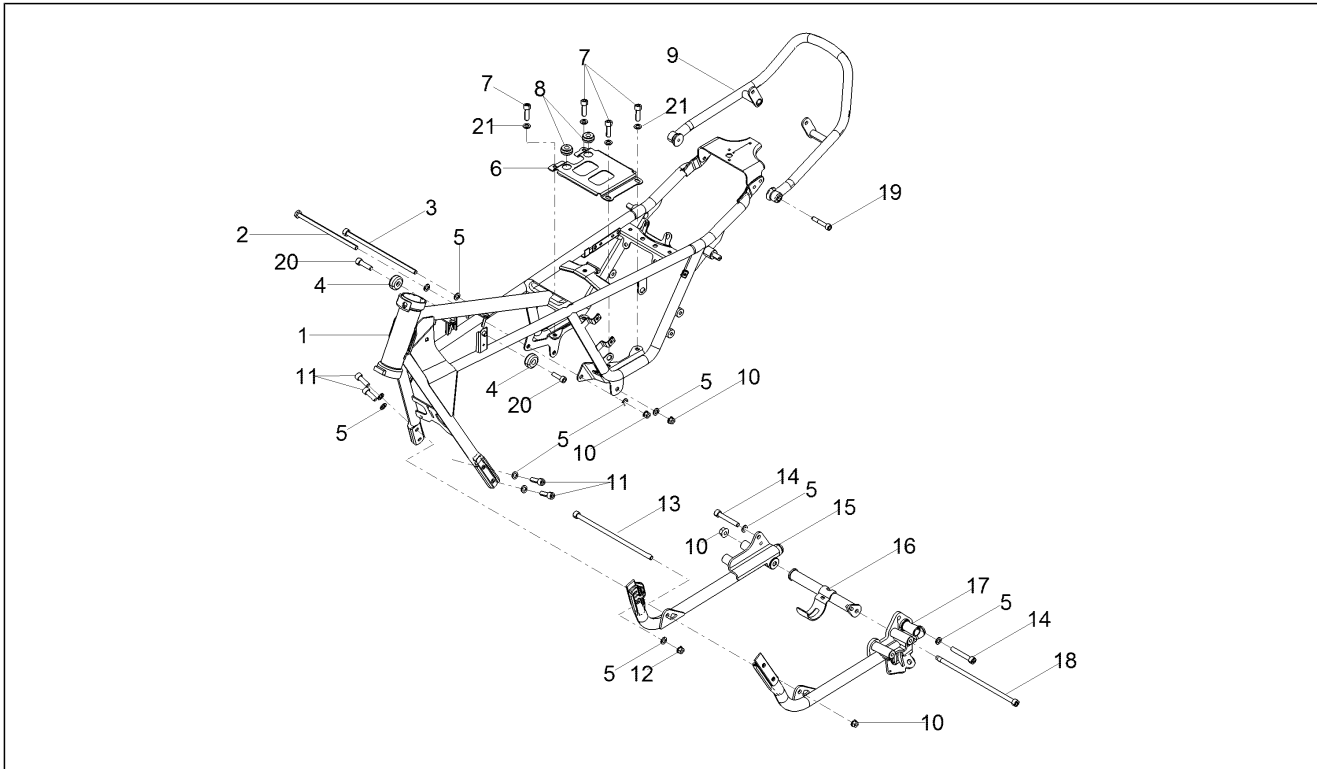
| Code | N.Tafel | Pos. | Code | N.Tafel | Pos. | Code | N.Tafel | Pos. |
|-----------|---------|------|----------------|---------|------|-----------|---------|------|
| 2B002390 | 07.030 | 2 | 2B0035675 | 03.330 | 6 | 2S000225 | 02.150 | 20 |
| 2B002391 | 07.030 | 1 | 2B0035685 | 03.330 | 12 | 2S000228 | 02.030 | 1 |
| 2B002424 | 03.350 | 21 | 2B0035695 | 03.330 | 30 | 2S000229 | 02.150 | 1 |
| 2B002425 | 03.350 | 21 | 2B003586 | 08.020 | 6 | 2S000251 | 02.150 | 2 |
| 2B002426 | 03.350 | 21 | 2B003606 | 03.020 | 9 | 2S000252 | 02.150 | 3 |
| 2B002486 | 09.010 | 6 | 2B003620 | 01.010 | 9 | 2S000254 | 02.150 | 13 |
| 2B002529 | 03.320 | 7 | 2B003631 | 08.020 | 8 | 2S000255 | 02.150 | 12 |
| 2B002530 | 03.320 | 9 | 2B003643 | 03.330 | 15 | 2S0002935 | 02.140 | 1 |
| 2B002531 | 03.320 | 8 | 2B003711 | 08.020 | 9 | 2S000856 | 09.010 | 10 |
| 2B002567 | 09.010 | 8 | 2B003791 | 07.010 | 1 | 2S001000 | 02.140 | 2 |
| 2B002602 | 03.196 | 4 | 2B003809 | 02.170 | 11 | 319446 | 07.010 | 16 |
| 2B002621 | 02.100 | 7 | 2B003821 | 06.010 | 2 | 478533 | 11.020 | 11 |
| 2B002622 | 02.100 | 8 | 2B003822 | 06.010 | 6 | 484993 | 03.030 | 20 |
| 2B002632 | 09.020 | 1 | 2B003832 | 08.010 | 13 | 584211 | 11.030 | 4 |
| 2B002781 | 11.030 | 8 | 2B003833 | 07.010 | 17 | 584332 | 08.010 | 6 |
| 2B002810 | 01.010 | 16 | 2B003835 | 07.020 | 13 | 584332 | 08.030 | 4 |
| 2B002817 | 01.010 | 18 | 2B003836 | 07.020 | 17 | 584344 | 03.330 | 4 |
| 2B002832 | 03.050 | 2 | 2B003851 | 08.020 | 4 | 624995 | 02.030 | 5 |
| 2B002851 | 03.050 | 5 | 2B003946000C2 | 09.010 | 12 | 638733 | 11.030 | 9 |
| 2B002875 | 07.020 | 2 | 2B003948 | 04.060 | 3 | 639338 | 08.010 | 7 |
| 2B002901 | 11.020 | 12 | 2B003952 | 04.060 | 2 | 639338 | 08.030 | 5 |
| 2B002937 | 02.100 | 10 | 2B003965 | 07.020 | 6 | 641040 | 11.020 | 8 |
| 2B002943 | 02.100 | 9 | 2B003994 | 02.170 | 4 | 641901 | 11.020 | 15 |
| 2B002959 | 03.050 | 14 | 2B0039954 | 02.170 | 3 | 642034 | 11.020 | 16 |
| 2B002961 | 07.030 | 8 | 2B004009 | 02.170 | 5 | 643090 | 03.190 | 16 |
| 2B002989 | 04.080 | 1 | 2B004014 | 03.350 | 25 | 658830 | 02.030 | 8 |
| 2B003039 | 06.010 | 5 | 2B0041865 | 02.170 | 13 | 658830 | 02.150 | 10 |
| 2B003040 | 06.010 | 3 | 2B004196 | 02.120 | 3 | 658837 | 03.030 | 5 |
| 2B003042 | 09.020 | 3 | 2B004230 | 02.170 | 14 | 674927 | 02.140 | 6 |
| 2B003052 | 11.020 | 13 | 2B004458 | 06.050 | 28 | 680212 | 11.020 | 9 |
| 2B003056 | 06.050 | 13 | 2B004471 | 06.050 | 23 | 825694 | 03.100 | 13 |
| 2B003105 | 03.196 | 3 | 2B004525 | 07.020 | 16 | 826165 | 03.190 | 23 |
| 2B003151 | 03.330 | 22 | 2D000024 | 03.300 | 1 | 831135 | 03.030 | 11 |
| 2B003152 | 03.330 | 21 | 2D000102 | 06.050 | 1 | 832029 | 11.010 | 10 |
| 2B003163 | 01.010 | 1 | 2D000225 | 08.010 | 1 | 834764 | 03.170 | 33 |
| 2B003174 | 01.010 | 15 | 2D000261 | 08.010 | 4 | 840370 | 03.330 | 17 |
| 2B003175 | 01.010 | 17 | 2D000262 | 08.010 | 5 | 843213 | 02.100 | 5 |
| 2B003189 | 01.020 | 4 | 2D0002805 | 06.030 | 14 | 848650 | 03.180 | 17 |
| 2B003190 | 01.020 | 3 | 2D0002885 | 07.030 | 9 | 849308 | 03.180 | 21 |
| 2B003204 | 03.196 | 2 | 2D000294 | 08.020 | 10 | 849308 | 03.180 | 6 |
| 2B003250 | 07.010 | 3 | 2D000295 | 08.020 | 11 | 849309 | 03.180 | 23 |
| 2B003250 | 07.020 | 5 | 2D000307 | 07.020 | 18 | 849310 | 03.180 | 26 |
| 2B003292 | 07.010 | 15 | 2D000308 | 07.020 | 9 | 849396 | 03.180 | 14 |
| 2B003306 | 02.180 | 2 | 2D000334 | 11.010 | 1 | 849424 | 03.180 | 8 |
| 2B003320 | 01.030 | 1 | 2D000334 | 11.020 | 1 | 852090 | 03.330 | 7 |
| 2B003325 | 06.050 | 4 | 2D000334 | 11.030 | 1 | 854827 | 07.020 | 4 |
| 2B003327 | 06.050 | 5 | 2D000347 | 08.030 | 1 | 856063 | 09.020 | 7 |
| 2B003336 | 06.030 | 3 | 2D000351 | 02.170 | 2 | 857045 | 03.320 | 2 |
| 2B003338 | 06.040 | 3 | 2D000355 | 11.020 | 21 | 857046 | 03.320 | 5 |
| 2B003342 | 08.010 | 11 | 2D000368 | 08.030 | 2 | 857047 | 03.320 | 1 |
| 2B003348 | 03.020 | 3 | 2D000369 | 08.030 | 3 | 857181 | 03.320 | 10 |
| 2B003367 | 08.020 | 3 | 2H0018555 | 09.010 | 1 | 857206 | 03.300 | 3 |
| 2B003424 | 04.060 | 1 | 2H001856000XN6 | 02.100 | 2 | 857250 | 03.170 | 29 |
| 2B003435 | 09.010 | 1 | 2H001857000XN6 | 02.100 | 1 | 859792 | 05.010 | 20 |
| 2B0034845 | 03.340 | 1 | 2H001860 | 02.190 | 1 | 859792 | 05.020 | 24 |
| 2B0034855 | 03.350 | 16 | 2H001861 | 02.190 | 2 | 859946 | 06.030 | 4 |
| 2B003486 | 03.350 | 28 | 2H001862 | 02.190 | 3 | 860651 | 03.340 | 9 |
| 2B003493 | 02.170 | 1 | 2Q000285 | 02.180 | 1 | 871640 | 03.100 | 7 |
| 2B003498 | 02.100 | 2 | 2Q000287 | 02.180 | 1 | 873905 | 03.170 | 26 |
| 2B003499 | 02.100 | 1 | 2Q000288 | 02.180 | 1 | 873928 | 03.180 | 2 |
| 2B003515 | 02.030 | 2 | 2R000109 | 04.060 | 7 | 874567 | 03.150 | 4 |
| 2B003543 | 06.010 | 1 | 2R000110 | 04.060 | 23 | 876879 | 03.330 | 13 |
| 2B003560 | 03.330 | 2 | 2R000243 | 04.060 | 19 | 880260 | 03.060 | 4 |
| 2B003561 | 03.330 | 1 | 2R000248 | 06.040 | 8 | 883161 | 11.030 | 5 |
| 2B0035625 | 03.330 | 20 | 2R000315 | 02.030 | 7 | 883349 | 05.020 | 8 |
| 2B0035635 | 03.330 | 19 | 2R000315 | 02.150 | 7 | 883350 | 05.020 | 7 |
| 2B0035665 | 03.330 | 5 | 2R000316 | 02.030 | 6 | 883673 | 06.020 | 6 |

| Code | N.Tafel | Pos. | Code | N.Tafel | Pos. | Code | N.Tafel | Pos. |
|------------|---------|------|-----------|---------|------|-----------|---------|------|
| 883688 | 05.010 | 10 | 976608 | 03.350 | 1 | AP8145035 | 01.020 | 7 |
| 883826 | 03.030 | 13 | 97729R | 03.290 | 1 | AP8150015 | 06.050 | 12 |
| 884033 | 06.030 | 7 | 978415 | 02.170 | 7 | AP8150018 | 03.020 | 24 |
| 884043 | 03.330 | 14 | 978960 | 07.020 | 8 | AP8150026 | 03.020 | 19 |
| 886365 | 03.030 | 15 | AP8101861 | 01.020 | 20 | AP8150048 | 01.010 | 14 |
| 886629 | 03.230 | 11 | AP8102159 | 09.020 | 6 | AP8150049 | 07.020 | 7 |
| 886679 | 05.010 | 23 | AP8102239 | 09.020 | 4 | AP8150053 | 08.010 | 15 |
| 886680 | 05.020 | 23 | AP8102386 | 06.050 | 26 | AP8150178 | 05.010 | 17 |
| 886820 | 02.170 | 12 | AP8102520 | 03.050 | 15 | AP8150285 | 06.030 | 15 |
| 887003 | 03.270 | 5 | AP8102520 | 09.020 | 9 | AP8150376 | 02.140 | 12 |
| 887093 | 03.190 | 18 | AP8102524 | 01.030 | 5 | AP8150378 | 02.150 | 8 |
| 887421 | 11.020 | 20 | AP8102738 | 09.020 | 2 | AP8150380 | 02.150 | 9 |
| 887448 | 05.020 | 12 | AP8104525 | 03.050 | 4 | AP8150430 | 02.150 | 11 |
| 887481 | 11.020 | 7 | AP8104924 | 03.050 | 7 | AP8150447 | 02.140 | 11 |
| 887762 | 05.010 | 11 | AP8110053 | 03.020 | 16 | AP8150451 | 06.050 | 19 |
| 887762 | 05.020 | 13 | AP8110077 | 07.010 | 7 | AP8150500 | 02.100 | 3 |
| 887815 | 03.050 | 8 | AP8113003 | 06.050 | 7 | AP8150500 | 03.060 | 6 |
| 887831 | 07.010 | 9 | AP8113004 | 06.050 | 6 | AP8150500 | 06.050 | 27 |
| 887832 | 07.010 | 12 | AP8113081 | 06.030 | 12 | AP8150509 | 02.140 | 8 |
| 887843 | 03.050 | 9 | AP8113082 | 06.030 | 13 | AP8150509 | 03.050 | 10 |
| 887844 | 03.050 | 12 | AP8120001 | 06.050 | 25 | AP8150540 | 07.020 | 14 |
| 887852 | 07.020 | 19 | AP8120001 | 11.030 | 11 | AP8150543 | 07.010 | 2 |
| 887853 | 07.020 | 20 | AP8120030 | 06.050 | 10 | AP8152043 | 06.010 | 8 |
| 887858 | 05.010 | 5 | AP8120178 | 06.030 | 11 | AP8152043 | 06.050 | 16 |
| 887859 | 05.010 | 1 | AP8120246 | 03.340 | 12 | AP8152055 | 03.330 | 28 |
| 887861 | 05.020 | 1 | AP8120311 | 01.010 | 8 | AP8152117 | 08.020 | 5 |
| 887862 | 05.020 | 11 | AP8120455 | 03.050 | 3 | AP8152138 | 03.020 | 17 |
| 887875 | 05.010 | 19 | AP8120459 | 02.150 | 4 | AP8152220 | 03.190 | 20 |
| 887878 | 04.060 | 4 | AP8120531 | 02.140 | 3 | AP8152229 | 02.170 | 8 |
| 887879 | 04.060 | 5 | AP8120557 | 09.010 | 4 | AP8152239 | 06.050 | 24 |
| 887880 | 04.060 | 6 | AP8120573 | 01.020 | 17 | AP8152267 | 03.090 | 7 |
| 887882 | 04.060 | 8 | AP8120615 | 03.050 | 6 | AP8152268 | 08.030 | 12 |
| 887883 | 04.060 | 9 | AP8120870 | 03.330 | 15 | AP8152272 | 03.120 | 10 |
| 887884 | 04.060 | 10 | AP8120876 | 03.050 | 11 | AP8152277 | 01.020 | 11 |
| 887885 | 04.060 | 11 | AP8120912 | 03.020 | 1 | AP8152278 | 02.150 | 15 |
| 887886 | 04.060 | 12 | AP8120912 | 06.030 | 1 | AP8152285 | 02.120 | 4 |
| 887888 | 04.060 | 13 | AP8121014 | 01.030 | 3 | AP8152288 | 06.040 | 5 |
| 887889 | 04.060 | 15 | AP8121032 | 02.150 | 16 | AP8152288 | 09.010 | 2 |
| 887890 | 04.060 | 17 | AP8121072 | 03.330 | 25 | AP8152298 | 08.030 | 11 |
| 887891 | 04.060 | 16 | AP8121114 | 02.120 | 5 | AP8152299 | 02.150 | 17 |
| 887893 | 04.060 | 20 | AP8121133 | 01.020 | 19 | AP8152299 | 08.010 | 12 |
| 887894 | 04.060 | 22 | AP8121205 | 07.010 | 4 | AP8152299 | 11.020 | 6 |
| 887905 | 04.060 | 18 | AP8121332 | 09.010 | 5 | AP8152301 | 07.020 | 1 |
| 887908 | 03.020 | 2 | AP8121420 | 02.170 | 6 | AP8152306 | 08.030 | 14 |
| 887908 | 06.030 | 2 | AP8121509 | 03.020 | 26 | AP8152329 | 03.050 | 1 |
| 887916 | 04.060 | 21 | AP8121567 | 01.020 | 15 | AP8152329 | 08.030 | 17 |
| 88793900C2 | 02.120 | 1 | AP8121882 | 06.050 | 21 | AP8152350 | 02.140 | 9 |
| 890760 | 03.050 | 13 | AP8121927 | 06.030 | 16 | AP8152384 | 07.010 | 5 |
| 890760 | 07.010 | 14 | AP8123641 | 07.010 | 6 | AP8152385 | 06.020 | 2 |
| 894704 | 11.030 | 15 | AP8123642 | 07.010 | 10 | AP8161054 | 03.050 | 16 |
| 895328 | 03.020 | 5 | AP8123643 | 07.010 | 11 | AP8181140 | 11.030 | 13 |
| 895328 | 06.030 | 5 | AP8123644 | 07.010 | 8 | AP8210007 | 03.020 | 20 |
| 895709 | 06.050 | 18 | AP8124936 | 08.020 | 7 | AP8213028 | 07.030 | 5 |
| 896110 | 03.330 | 3 | AP8124936 | 11.010 | 6 | AP8213388 | 07.030 | 6 |
| 896174 | 02.100 | 4 | AP8127601 | 09.020 | 10 | AP8221023 | 03.050 | 18 |
| 897478 | 03.300 | 2 | AP8127856 | 01.030 | 7 | AP8221023 | 06.050 | 9 |
| 898268 | 03.270 | 6 | AP8134378 | 03.330 | 24 | AP8221197 | 01.030 | 4 |
| 898269 | 03.270 | 7 | AP8134378 | 08.010 | 10 | AP8221277 | 01.020 | 16 |
| 898283 | 03.020 | 11 | AP8134448 | 08.030 | 15 | AP8224164 | 08.030 | 13 |
| 898396 | 03.020 | 14 | AP8134451 | 01.020 | 18 | AP8224462 | 11.020 | 4 |
| 898397 | 03.020 | 7 | AP8144007 | 03.020 | 4 | AP8225369 | 02.140 | 5 |
| 967356 | 01.030 | 6 | AP8144007 | 06.030 | 6 | AP8702101 | 02.170 | 10 |
| 967363 | 03.020 | 25 | AP8144071 | 03.330 | 26 | B013037 | 03.230 | 15 |
| 967363 | 03.330 | 27 | AP8144222 | 07.020 | 3 | B013608 | 03.170 | 25 |
| 974162 | 03.180 | 12 | AP8144552 | 11.030 | 3 | B013608 | 03.180 | 3 |
| 974165 | 03.180 | 15 | AP8144593 | 02.100 | 6 | B015040 | 03.180 | 11 |
| 976591 | 03.090 | 5 | AP8145034 | 01.020 | 6 | B015598 | 03.170 | 2 |

| Code | N.Tafel | Pos. | Code | N.Tafel | Pos. | Code | N.Tafel | Pos. |
|------------|---------|------|------------|---------|------|------------|---------|------|
| B016796 | 03.060 | 5 | GU14609650 | 11.020 | 3 | GU20355121 | 03.350 | 34 |
| B017406 | 03.170 | 5 | GU14609650 | 11.030 | 17 | GU23328081 | 03.340 | 10 |
| B017636 | 03.100 | 3 | GU14615901 | 02.030 | 3 | GU23548080 | 03.340 | 11 |
| B018020 | 03.170 | 4 | GU14615901 | 03.230 | 3 | GU23548180 | 03.340 | 6 |
| B018448 | 03.180 | 31 | GU14615901 | 03.330 | 9 | GU27061885 | 03.160 | 4 |
| B043850 | 11.030 | 16 | GU14615901 | 03.340 | 8 | GU27066460 | 03.160 | 5 |
| B063025 | 03.170 | 39 | GU14615901 | 09.010 | 3 | GU27152885 | 03.190 | 1 |
| B063144 | 05.010 | 3 | GU14616150 | 05.010 | 15 | GU27633910 | 05.020 | 4 |
| B063174 | 04.080 | 3 | GU14616150 | 05.020 | 10 | GU28612033 | 05.020 | 18 |
| B063269 | 03.170 | 40 | GU18144350 | 03.190 | 8 | GU30601060 | 07.030 | 3 |
| B063287 | 01.010 | 6 | GU19002020 | 03.170 | 36 | GU30602500 | 07.030 | 4 |
| B063292 | 03.330 | 10 | GU19002020 | 03.270 | 3 | GU30630430 | 05.020 | 20 |
| B063466 | 03.150 | 6 | GU19003800 | 03.030 | 3 | GU31003766 | 03.030 | 22 |
| B063907 | 01.020 | 12 | GU19015020 | 03.030 | 14 | GU31003766 | 03.350 | 8 |
| B063956 | 03.170 | 14 | GU19018920 | 03.030 | 9 | GU31150950 | 03.190 | 10 |
| B064112 | 03.170 | 10 | GU19018920 | 03.190 | 28 | GU31159050 | 03.190 | 6 |
| B064113 | 03.170 | 7 | GU19021360 | 03.150 | 3 | GU31256881 | 03.020 | 10 |
| CM013202 | 11.030 | 14 | GU19045861 | 03.120 | 3 | GU31327783 | 03.340 | 2 |
| CM017710 | 09.010 | 11 | GU19055700 | 03.120 | 2 | GU31544181 | 01.050 | 5 |
| CM178609 | 08.020 | 1 | GU19058021 | 03.120 | 20 | GU31547882 | 01.050 | 2 |
| CM179008 | 09.020 | 5 | GU19058220 | 03.120 | 11 | GU31610160 | 05.010 | 24 |
| CM179302 | 11.030 | 6 | GU19062261 | 03.160 | 1 | GU31614183 | 05.010 | 9 |
| CM225705 | 11.030 | 18 | GU19065400 | 03.160 | 9 | GU31615283 | 05.010 | 6 |
| CM225715 | 11.030 | 19 | GU19067700 | 03.230 | 2 | GU31616384 | 05.010 | 12 |
| CM225720 | 11.030 | 2 | GU19327601 | 03.340 | 3 | GU31634281 | 06.040 | 4 |
| CM225730 | 11.030 | 20 | GU19328801 | 03.340 | 5 | GU31634481 | 05.020 | 15 |
| CM226902 | 03.196 | 1 | GU19351100 | 03.350 | 4 | GU31659181 | 06.040 | 7 |
| CM226902 | 03.320 | 6 | GU19351900 | 03.350 | 2 | GU31659281 | 06.040 | 6 |
| CM228401 | 01.020 | 14 | GU19352300 | 03.350 | 23 | GU32350410 | 03.350 | 13 |
| CM258301 | 03.060 | 11 | GU19353500 | 03.350 | 24 | GU32354610 | 03.350 | 18 |
| CM258301 | 03.060 | 13 | GU19355200 | 03.350 | 35 | GU32441210 | 01.020 | 10 |
| CM258303 | 03.050 | 17 | GU19355202 | 03.350 | 36 | GU32442310 | 01.020 | 8 |
| CM275405 | 03.060 | 1 | GU19355300 | 03.350 | 33 | GU32442710 | 01.020 | 9 |
| CM277101 | 11.020 | 17 | GU19355301 | 03.350 | 33 | GU32461610 | 02.120 | 2 |
| CM277102 | 11.020 | 18 | GU19355302 | 03.350 | 33 | GU32555210 | 04.080 | 5 |
| GU01528930 | 03.170 | 44 | GU19355303 | 03.350 | 33 | GU32555211 | 04.080 | 2 |
| GU01528930 | 03.350 | 9 | GU19355304 | 03.350 | 33 | GU32602860 | 07.020 | 11 |
| GU01659130 | 06.020 | 5 | GU19355305 | 03.350 | 33 | GU32603010 | 07.020 | 15 |
| GU01659131 | 06.020 | 4 | GU19355306 | 03.350 | 33 | GU32603310 | 07.020 | 10 |
| GU03013800 | 03.020 | 22 | GU19355307 | 03.350 | 33 | GU32613160 | 05.010 | 2 |
| GU03013800 | 03.060 | 10 | GU19355308 | 03.350 | 33 | GU32615660 | 05.010 | 14 |
| GU03067730 | 03.350 | 19 | GU19355309 | 03.350 | 33 | GU32632510 | 05.020 | 17 |
| GU03612040 | 05.010 | 16 | GU19355320 | 03.350 | 27 | GU32633360 | 05.020 | 14 |
| GU03631250 | 05.010 | 4 | GU19355321 | 03.350 | 27 | GU32633560 | 03.350 | 11 |
| GU03631250 | 05.020 | 9 | GU19355322 | 03.350 | 27 | GU32634160 | 06.040 | 2 |
| GU03658201 | 06.050 | 20 | GU19355323 | 03.350 | 27 | GU32636160 | 05.020 | 21 |
| GU03658330 | 06.050 | 17 | GU19355324 | 03.350 | 27 | GU32692260 | 05.020 | 2 |
| GU03749845 | 06.010 | 7 | GU19355325 | 03.350 | 27 | GU32753410 | 08.010 | 14 |
| GU05217630 | 03.230 | 26 | GU19355326 | 03.350 | 27 | GU32753410 | 08.030 | 16 |
| GU05234230 | 03.170 | 9 | GU19355327 | 03.350 | 27 | GU35214300 | 01.050 | 4 |
| GU05234631 | 03.170 | 31 | GU19355328 | 03.350 | 27 | GU49609601 | 11.020 | 2 |
| GU05235531 | 03.170 | 30 | GU19355329 | 03.350 | 27 | GU61027200 | 03.150 | 1 |
| GU05238231 | 03.170 | 13 | GU19355400 | 03.350 | 21 | GU61270300 | 03.350 | 26 |
| GU05238431 | 03.170 | 11 | GU19355402 | 03.350 | 21 | GU66103415 | 01.010 | 4 |
| GU05239330 | 03.170 | 16 | GU19355404 | 03.350 | 21 | GU90271014 | 03.170 | 17 |
| GU05659230 | 06.020 | 3 | GU19355406 | 03.350 | 21 | GU90271022 | 03.170 | 32 |
| GU05781630 | 04.060 | 24 | GU19355408 | 03.350 | 21 | GU90272023 | 03.340 | 13 |
| GU06418600 | 11.030 | 10 | GU19355410 | 03.350 | 21 | GU90353014 | 03.170 | 8 |
| GU10034100 | 03.120 | 15 | GU19355411 | 03.350 | 21 | GU90353029 | 03.120 | 17 |
| GU10528900 | 03.030 | 23 | GU19355412 | 03.350 | 21 | GU90353030 | 03.350 | 17 |
| GU12022600 | 03.170 | 35 | GU19355413 | 03.350 | 21 | GU90401424 | 03.170 | 18 |
| GU12022600 | 03.350 | 6 | GU19356700 | 03.350 | 30 | GU90402538 | 05.020 | 6 |
| GU12154200 | 03.190 | 2 | GU19356760 | 03.230 | 13 | GU90402642 | 05.010 | 8 |
| GU14085900 | 03.230 | 25 | GU19547000 | 01.050 | 1 | GU90403251 | 03.350 | 38 |
| GU14086100 | 03.230 | 17 | GU20147710 | 03.190 | 21 | GU90403549 | 03.350 | 3 |
| GU14217901 | 03.230 | 5 | GU20258221 | 03.020 | 23 | GU90407591 | 03.350 | 15 |
| GU14609650 | 11.010 | 9 | GU20352421 | 03.350 | 31 | GU90412541 | 03.180 | 18 |

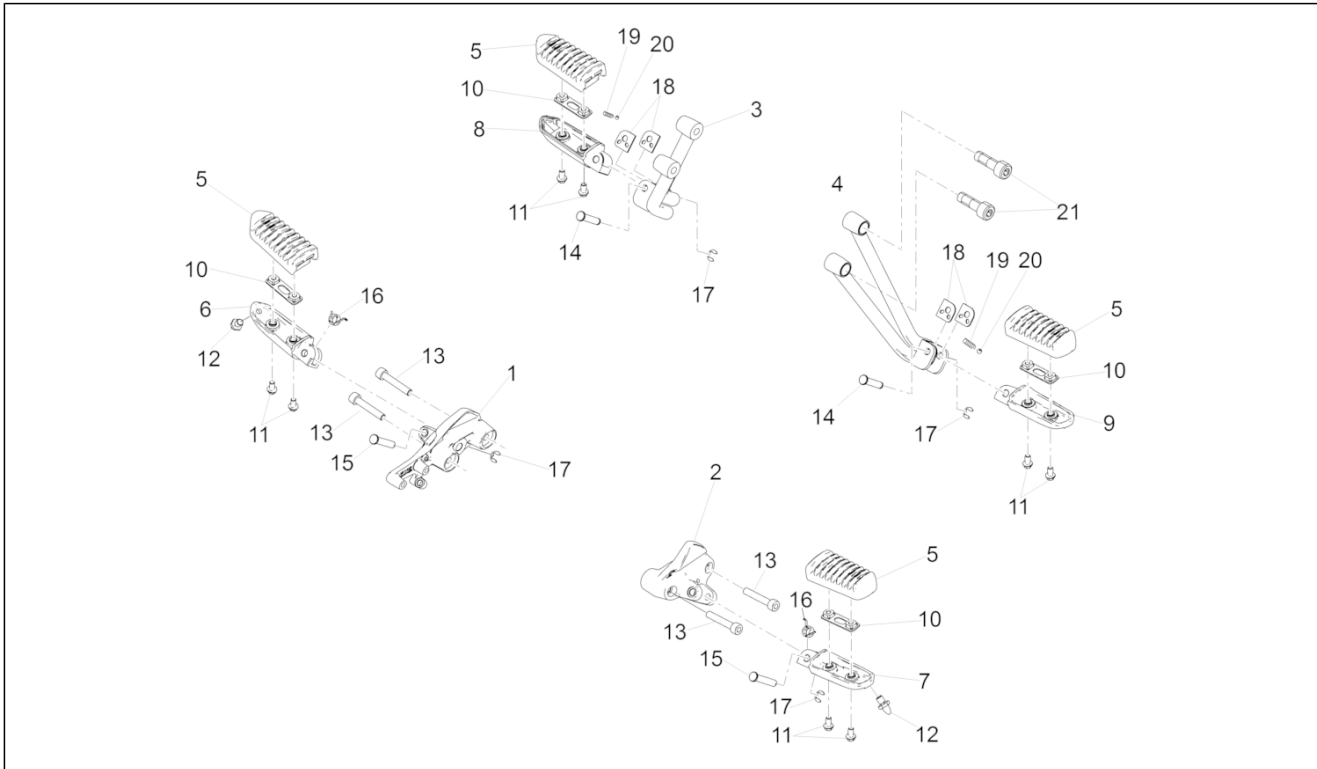
| Code | N.Tafel | Pos. | Code | N.Tafel | Pos. |
|------------|---------|------|------------|---------|------|
| GU90706141 | 11.010 | 11 | GU96508055 | 03.350 | 12 |
| GU90706170 | 03.230 | 27 | GU97202325 | 07.030 | 7 |
| GU90706188 | 03.350 | 29 | GU98110199 | 01.010 | 2 |
| GU90706203 | 03.170 | 34 | GU98230512 | 02.150 | 6 |
| GU90706203 | 03.350 | 7 | GU98370516 | 02.140 | 7 |
| GU90706235 | 03.230 | 10 | GU98370621 | 02.150 | 5 |
| GU90706281 | 03.030 | 25 | GU98370625 | 02.150 | 18 |
| GU90706444 | 03.190 | 4 | GU98370655 | 08.030 | 8 |
| GU90706584 | 03.350 | 37 | GU98612216 | 03.320 | 4 |
| GU91113826 | 03.330 | 18 | GU98622322 | 03.060 | 9 |
| GU91551010 | 03.050 | 19 | GU98632322 | 03.020 | 21 |
| GU92201070 | 03.350 | 14 | GU98680445 | 01.020 | 13 |
| GU92201226 | 03.180 | 19 | GU98680460 | 03.020 | 6 |
| GU92201226 | 03.230 | 9 | GU98680545 | 01.050 | 8 |
| GU92201822 | 03.180 | 1 | GU98682212 | 03.300 | 6 |
| GU92204217 | 05.020 | 5 | GU98682314 | 11.010 | 2 |
| GU92204218 | 05.020 | 3 | GU98682325 | 03.030 | 24 |
| GU92204221 | 05.010 | 7 | GU98682325 | 03.270 | 1 |
| GU92249220 | 03.350 | 32 | GU98682330 | 03.270 | 2 |
| GU92249227 | 03.350 | 20 | GU98682416 | 02.170 | 9 |
| GU92252235 | 03.350 | 5 | GU98682435 | 03.290 | 3 |
| GU92296723 | 03.190 | 25 | GU98682530 | 01.010 | 11 |
| GU92602510 | 03.190 | 19 | GU98690435 | 08.010 | 8 |
| GU92606206 | 03.020 | 8 | GU98690440 | 03.330 | 23 |
| GU92606206 | 06.030 | 10 | GU98690445 | 02.030 | 4 |
| GU92606208 | 03.030 | 6 | GU98690445 | 08.010 | 9 |
| GU92606210 | 01.050 | 6 | GU98692318 | 03.020 | 13 |
| GU92606316 | 05.020 | 16 | GU98882316 | 03.120 | 26 |
| GU92606508 | 03.230 | 24 | GU98882416 | 01.010 | 20 |
| GU92630206 | 06.030 | 8 | | | |
| GU92630207 | 05.010 | 18 | | | |
| GU92630510 | 01.010 | 10 | | | |
| GU92630510 | 01.010 | 12 | | | |
| GU92630510 | 04.080 | 8 | | | |
| GU92630707 | 03.020 | 12 | | | |
| GU92660021 | 03.330 | 8 | | | |
| GU92787006 | 08.030 | 10 | | | |
| GU93180105 | 01.050 | 3 | | | |
| GU93180111 | 05.010 | 13 | | | |
| GU93180220 | 03.170 | 42 | | | |
| GU93232005 | 02.140 | 4 | | | |
| GU93304360 | 09.020 | 8 | | | |
| GU93304390 | 11.010 | 8 | | | |
| GU93304390 | 11.030 | 12 | | | |
| GU93450224 | 08.030 | 7 | | | |
| GU94321079 | 03.190 | 9 | | | |
| GU94321099 | 03.340 | 4 | | | |
| GU94321105 | 03.230 | 22 | | | |
| GU95005304 | 11.020 | 10 | | | |
| GU95005306 | 08.030 | 9 | | | |
| GU95005308 | 03.340 | 7 | | | |
| GU95008206 | 03.190 | 7 | | | |
| GU95008208 | 03.290 | 2 | | | |
| GU95008210 | 01.010 | 21 | | | |
| GU95008210 | 01.010 | 5 | | | |
| GU95008210 | 01.050 | 7 | | | |
| GU95008308 | 03.330 | 29 | | | |
| GU95020105 | 01.030 | 8 | | | |
| GU95100059 | 11.030 | 7 | | | |
| GU95100141 | 02.150 | 19 | | | |
| GU95100309 | 03.190 | 17 | | | |
| GU95100602 | 03.190 | 26 | | | |
| GU95129115 | 03.120 | 18 | | | |
| GU95129181 | 04.080 | 7 | | | |
| GU95500222 | 03.230 | 20 | | | |
| GU96451430 | 03.030 | 12 | | | |
| GU96508055 | 03.030 | 16 | | | |

| | |
|---------------------|--------|
| Groep | Frame |
| Code | 01.010 |
| Beschrijving | Frame |
| Revisie | 1 |



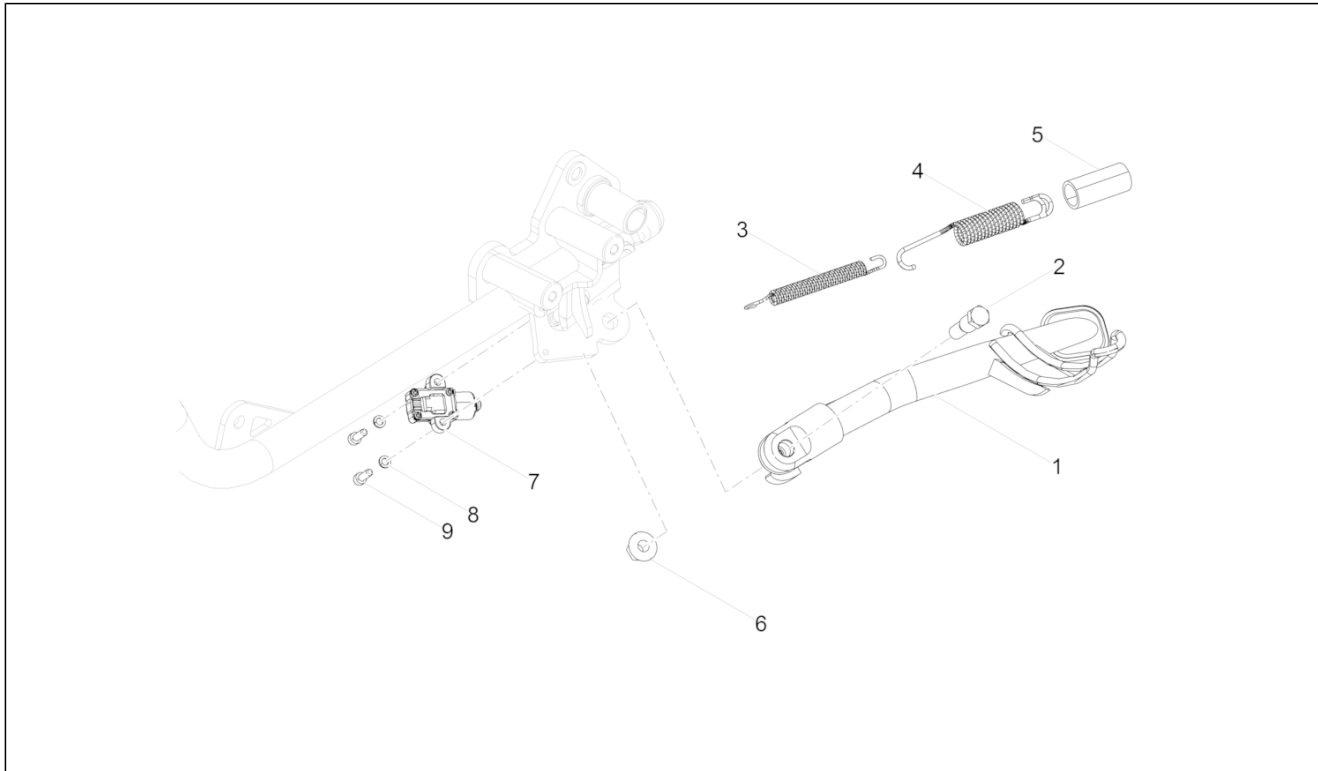
| Pos. | Code | Beschrijving | Aant. | Varianten |
|------|------------|--|-------|-----------|
| 1 | 2B003163 | Frame | 1 | |
| 2 | GU98110199 | Pin M10x205 | 1 | |
| 3 | 2B001035 | Pin 234X10 | 1 | |
| 4 | GU66103415 | Rubbertje | 2 | |
| 5 | GU95008210 | Sluitring 10,2X18X2 | 11 | |
| 6 | B063287 | Verbindingsplaat frame | 1 | |
| 7 | 2B002311 | Bolschroef torx M8X20 | 4 | |
| 8 | AP8120311 | Rubbertje | 2 | |
| 9 | 2B003620 | Handgreep passagier | 1 | |
| 10 | GU92630510 | Moer M10x1,5 | 4 | |
| 11 | GU98682530 | Binnenzeskantbout M10x30 | 4 | |
| 12 | GU92630510 | Moer M10x1,5 | 4 | |
| 13 | 2B001612 | Pin M10X253 | 1 | |
| 14 | AP8150048 | Binnenzeskantbout | 2 | |
| 15 | 2B003174 | Arm motorsteun RE | 1 | |
| 16 | 2B002810 | Dwarsbalk frame | 1 | |
| 17 | 2B003175 | Arm motorsteun LI | 1 | |
| 18 | 2B002817 | Pin M10 | 1 | |
| 19 | 2B002195 | Pre-geïmpregneerde binnenzeskantbout IX M6X35 | 2 | |
| 20 | GU98882416 | Bout met verzonken cilindrische zeskantkop M8x16 | 2 | |
| 21 | GU95008210 | Sluitring 10,2X18X2 | 4 | |

| | |
|---------------------|---------------|
| Groep | Frame |
| Code | 01.020 |
| Beschrijving | Voetensteunen |
| Revisie | 1 |



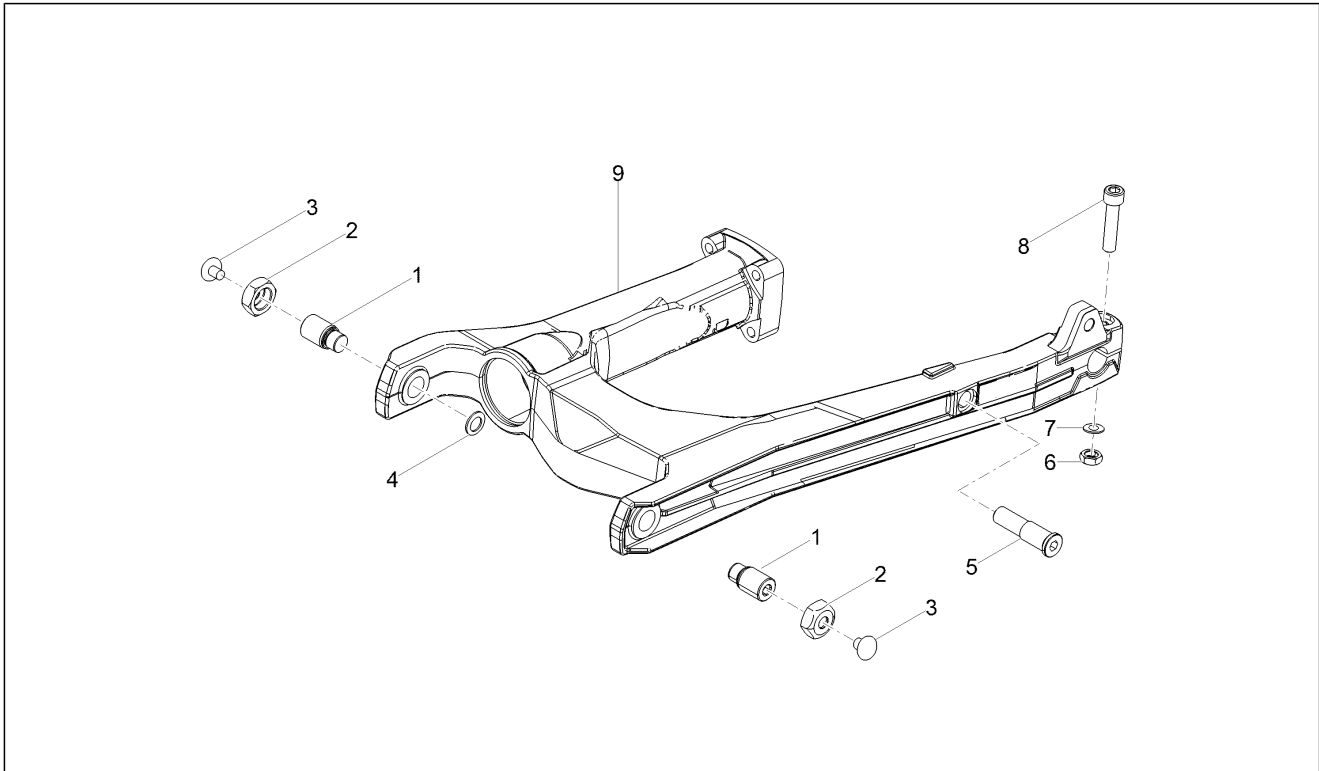
| Pos. | Code | Beschrijving | Aant. | Varianten |
|------|------------|-------------------------------|-------|-----------|
| 1 | 2B002218 | Steun voetenst. bestuurder re | 1 | |
| 2 | 2B002219 | Steun voetenst. bestuurder li | 1 | |
| 3 | 2B003190 | Steun voetenst. pass. re | 1 | |
| 4 | 2B003189 | Steun voetenst. pass. li | 1 | |
| 5 | 2B002225 | Rubber voetenst. | 4 | |
| 6 | AP8145034 | Voetensteun bestuurder re | 1 | |
| 7 | AP8145035 | Voetensteun bestuurder li | 1 | |
| 8 | GU32442310 | Voetenst.pass. re | 1 | |
| 9 | GU32442710 | Voetenst. pass.li | 1 | |
| 10 | GU32441210 | Plaatje | 4 | |
| 11 | AP8152277 | Zeskantbout geflenst M6x12 | 8 | |
| 12 | B063907 | Pin sleep voetensteun | 2 | |
| 13 | GU98680445 | Binnenzeskantbout | 4 | |
| 14 | CM228401 | Pin voetensteun | 2 | |
| 15 | AP8121567 | Pin | 2 | |
| 16 | AP8221277 | Trekveer voetensteun | 2 | |
| 17 | AP8120573 | Blokkeerring radiaal | 4 | |
| 18 | AP8134451 | Plaat eindeloop voetensteun | 4 | |
| 19 | AP8121133 | Spiraalveer cilind.compr. | 2 | |
| 20 | AP8101861 | Bol D6,35 | 2 | |
| 21 | 2B002171 | Bout TC 8x25 | 4 | |

| | |
|---------------------|-----------|
| Groep | Frame |
| Code | 01.030 |
| Beschrijving | Standaard |
| Revisie | 1 |



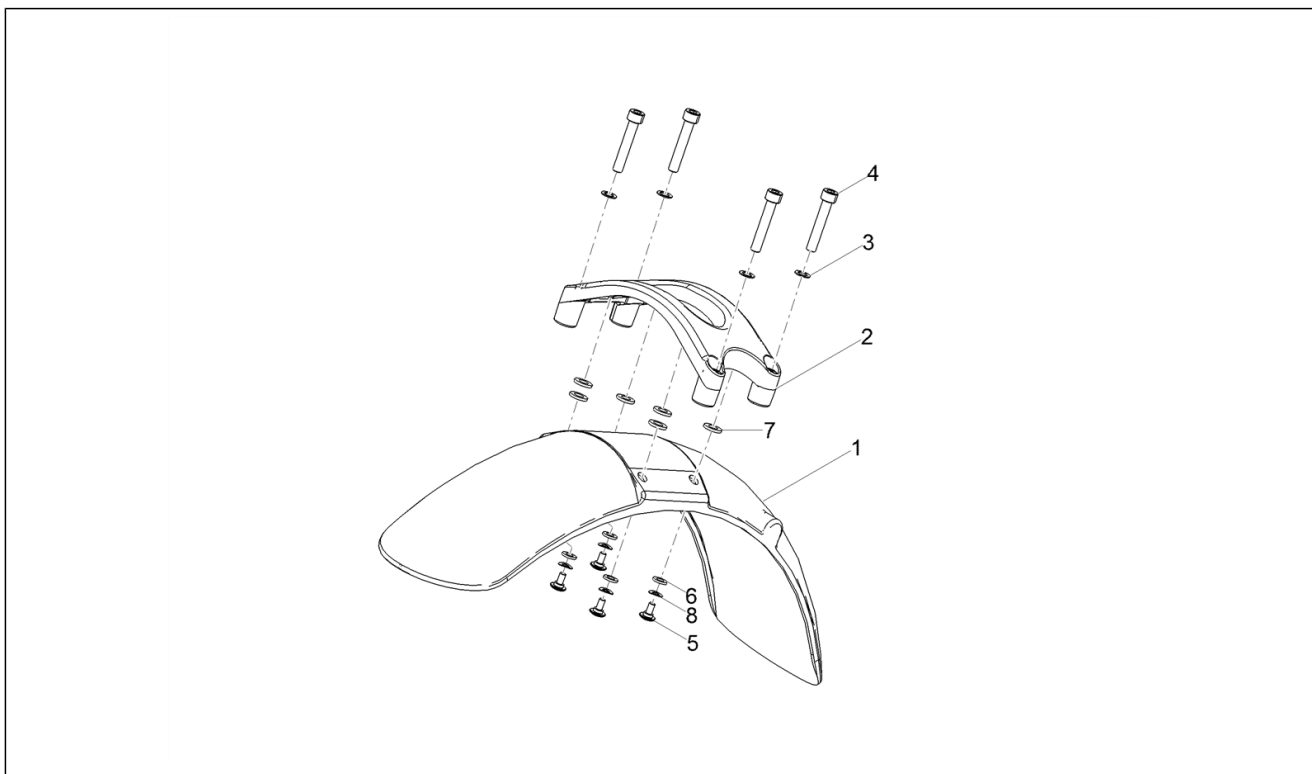
| Pos. | Code | Beschrijving | Aant. | Varianten |
|------|------------|--------------------------------|-------|-----------|
| 1 | 2B003320 | Laterale standaard | 1 | |
| 2 | 2B001088 | Pin van de standaard | 1 | |
| 3 | AP8121014 | Spiraalveer cilind.aandr. | 1 | |
| 4 | AP8221197 | Trekveer standaard | 1 | |
| 5 | AP8102524 | Bescherming veer standaard | 1 | |
| 6 | 967356 | Moer geflenst M10x1,25 | 1 | |
| 7 | AP8127856 | Schakelaar standaard | 1 | |
| 8 | GU95020105 | Sluitring 5,3x8,9x2,4 | 1 | |
| 9 | 1C001499 | Binnenkantbout TORX M5x16 INOX | 2 | |

| | |
|---------------------|--------|
| Groep | Frame |
| Code | 01.050 |
| Beschrijving | Vork |
| Revisie | 1 |



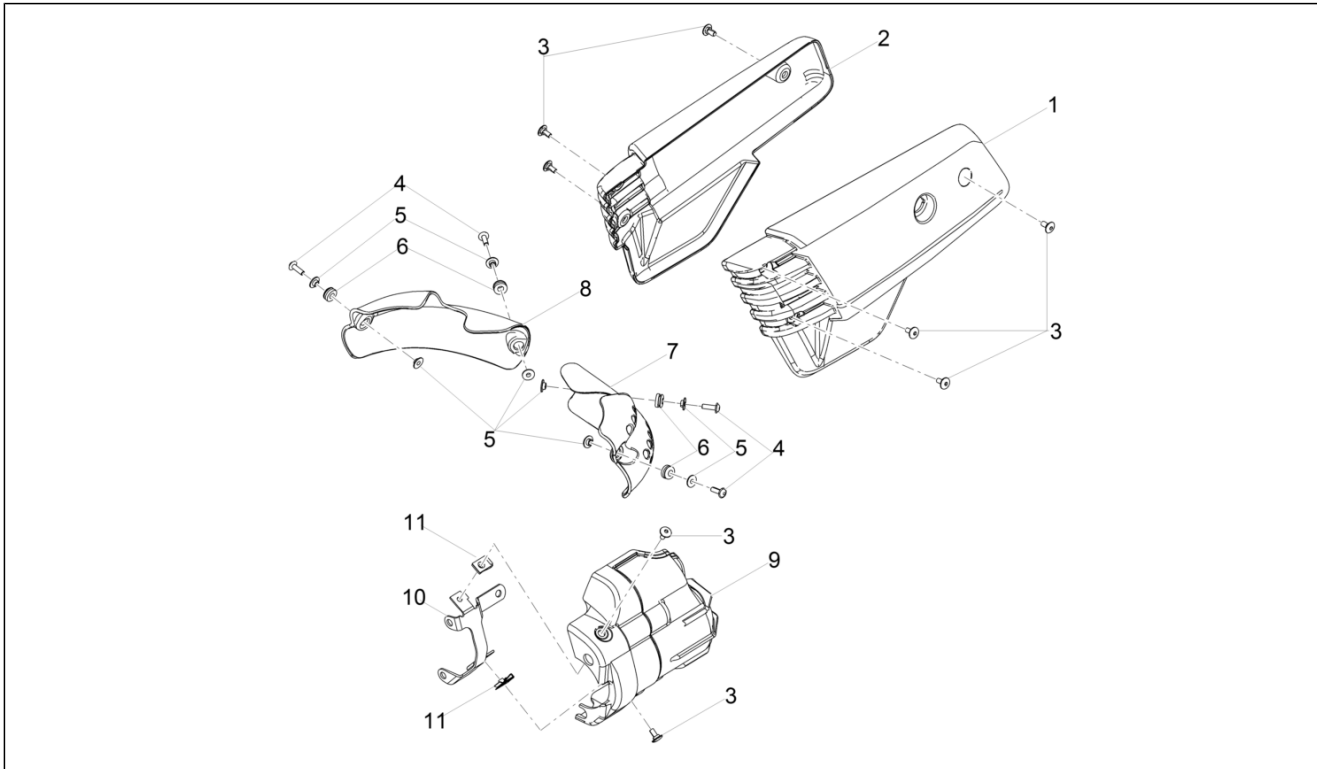
| Pos. | Code | Beschrijving | Aant. | Varianten |
|------|------------|---------------------|-------|-----------|
| 1 | GU19547000 | Pin | 2 | |
| 2 | GU31547882 | Moer | 2 | |
| 3 | GU93180105 | Dop | 2 | |
| 4 | GU35214300 | Dikte | 1 | |
| 5 | GU31544181 | Pin | 1 | |
| 6 | GU92606210 | Moer M10x1,5 | 1 | |
| 7 | GU95008210 | Sluitring 10,2X18X2 | 1 | |
| 8 | GU98680545 | Bout M10x45 | 1 | |
| 9 | 2B001959 | Vork v.zwart | 1 | |

| | |
|---------------------|-----------------------|
| Groep | Carrosserie |
| Code | 02.030 |
| Beschrijving | voorste spatbord-Punt |
| Revisie | 1 |



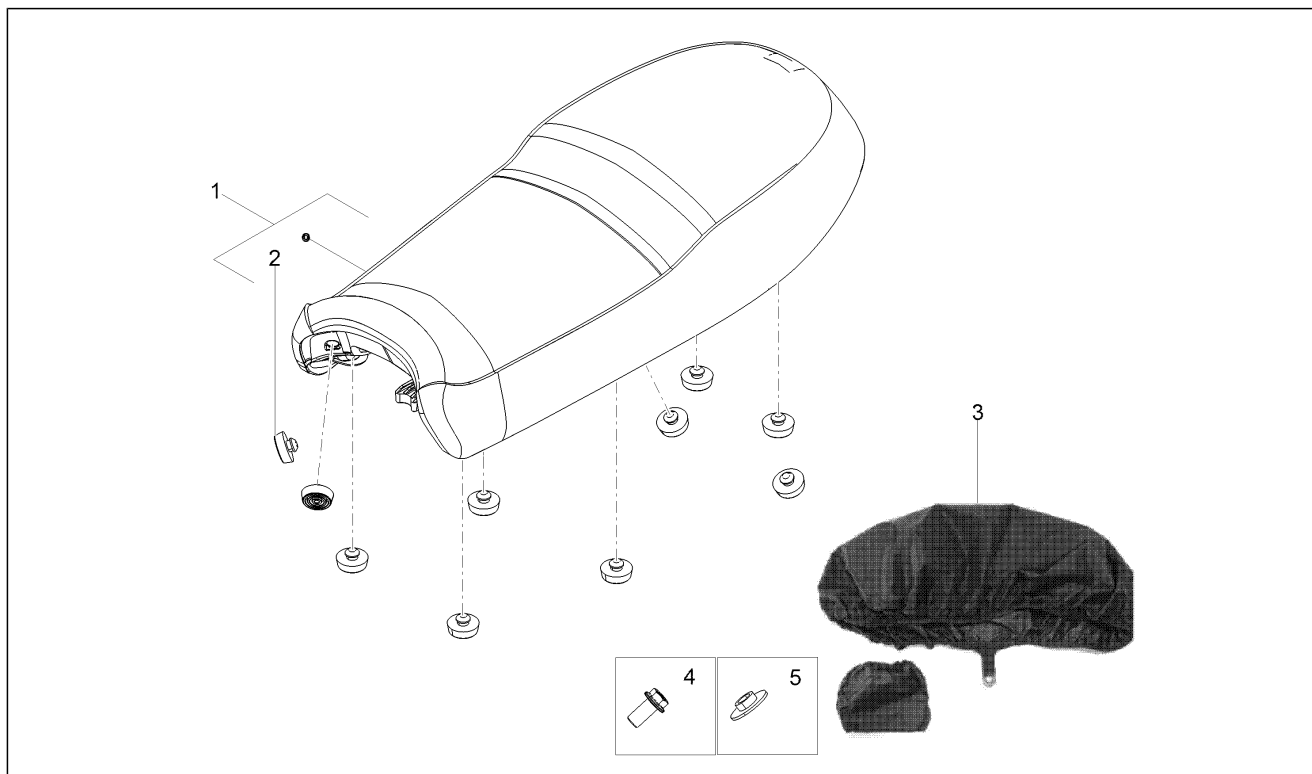
| Pos. | Code | Beschrijving | Aant. | Varianten |
|------|------------|----------------------------------|-------|-----------|
| 1 | 2S000228 | voorste spatbord | 1 | |
| 2 | 2B003515 | Stabiliseerplaat | 1 | |
| 3 | GU14615901 | Sluitring 8,4X13X0,8 | 4 | |
| 4 | GU98690445 | Bout M8x45 | 4 | |
| 5 | 624995 | Bout M6x16 | 4 | |
| 6 | 2R000316 | [...] | 6 | |
| 7 | 2R000315 | [...] | 4 | |
| 8 | 658830 | Elastische kromme sluitring 6x12 | 4 | |

| | |
|---------------------|--------------------|
| Groep | Carrosserie |
| Code | 02.100 |
| Beschrijving | Carrosserie centr. |
| Revisie | 1 |



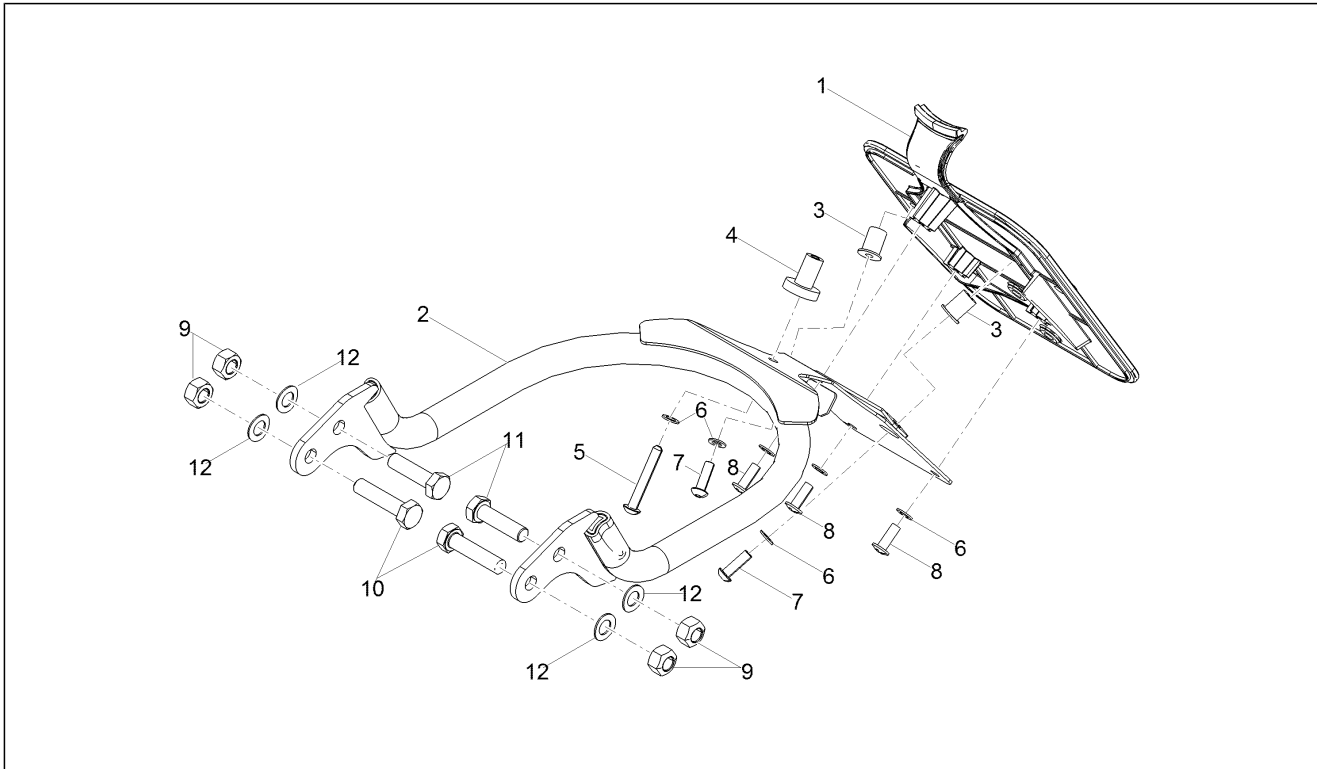
| Pos. | Code | Beschrijving | Aant. | Varianten |
|------|----------------|--------------------------------|-------|--|
| 1 | 2B003499 | Zijplaatje li ruw | 1 | kleur:Onbewerkt[GR] |
| 1 | 2H001857000XN6 | Zijplaatje li | 1 | Technische specificatie: Met decalco[D] |
| 2 | 2B003498 | Zijplaatje re ruw | 1 | kleur:Onbewerkt[GR] |
| 2 | 2H001856000XN6 | Zijplaatje re | 1 | Technische specificatie: Met decalco[D] |
| 3 | AP8150500 | Bolbout met binnenzeskant M5x9 | 8 | |
| 4 | 896174 | Zwarte binnenzeskantbout M5x12 | 4 | |
| 5 | 843213 | 'T'-vormige huls | 8 | |
| 6 | AP8144593 | Rubbertje | 4 | |
| 7 | 2B002621 | Injectorbedekking li | 1 | |
| 8 | 2B002622 | Injectorbedekking re | 1 | |
| 9 | 2B002943 | Starter motor cover | 1 | |
| 10 | 2B002937 | Steunbeugel cover | 1 | |
| 11 | 248419 | Spring plate M5 | 2 | |

| | |
|---------------------|-------------|
| Groep | Carrosserie |
| Code | 02.120 |
| Beschrijving | Zadel |
| Revisie | 1 |



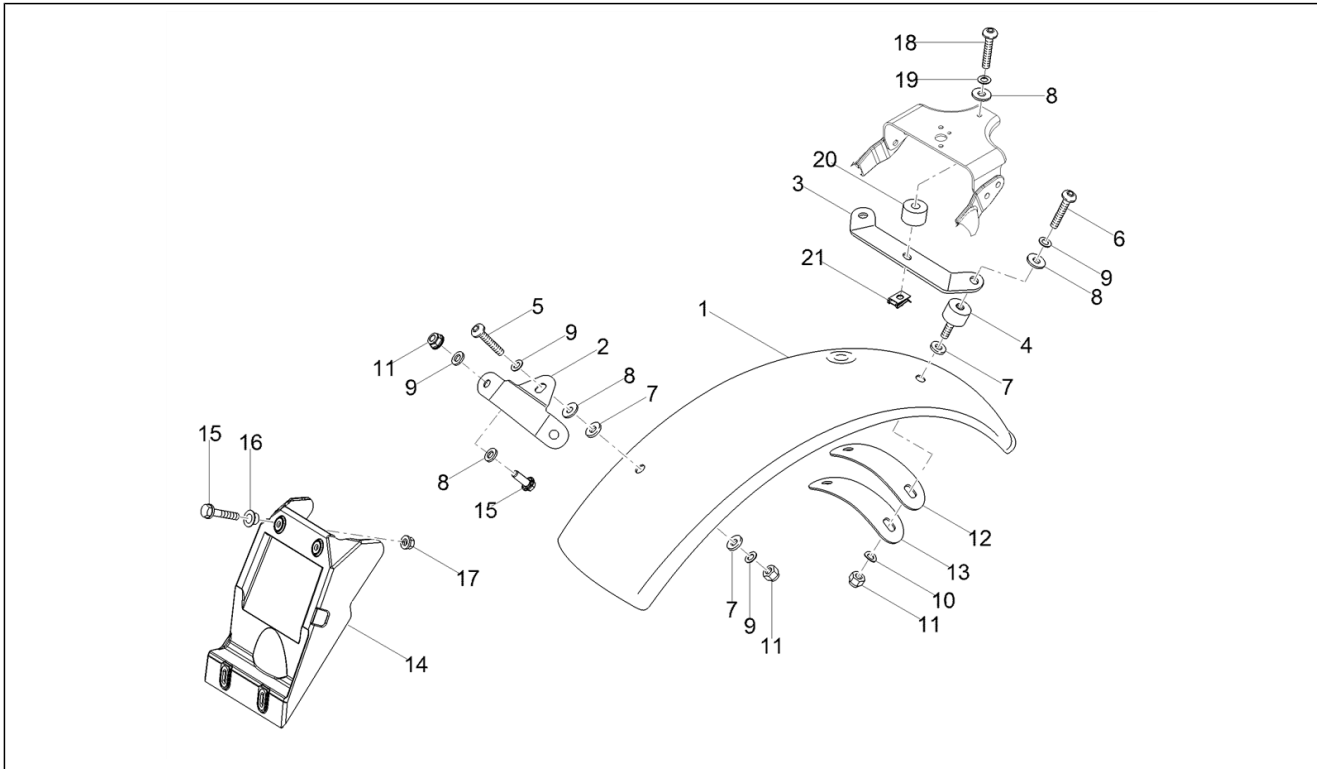
| Pos. | Code | Beschrijving | Aant. | Varianten |
|------|------------|----------------------------|-------|-----------|
| 1 | 88793900C2 | Complete zadel | 1 | |
| 2 | GU32461610 | Rubbertje | 10 | |
| 3 | 2B004196 | Copertura protezione sella | 1 | |
| 4 | AP8152285 | Zeskantbout geflenst | 1 | |
| 5 | AP8121114 | 'T'-vormige huls * | 1 | |

| | |
|---------------------|-------------------|
| Groep | Carrosserie |
| Code | 02.140 |
| Beschrijving | Carrosserie acht. |
| Revisie | 1 |



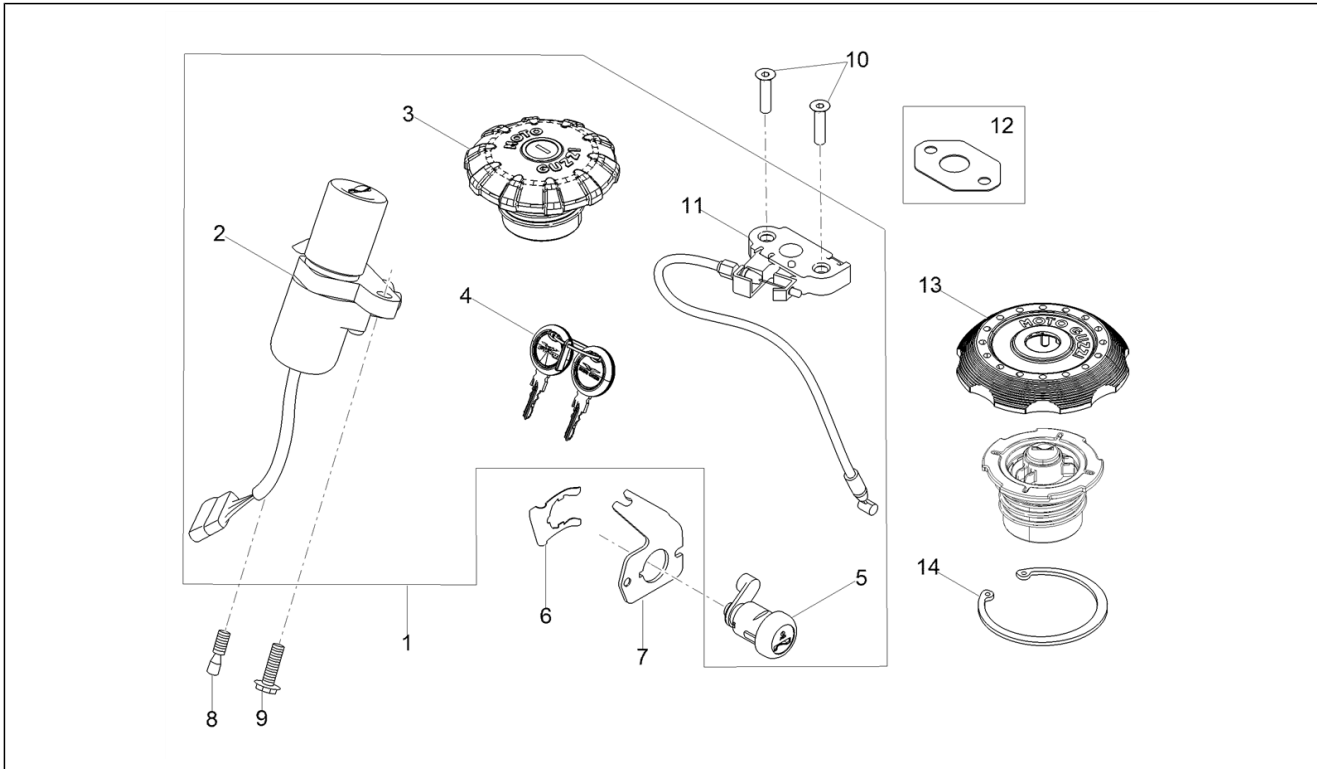
| Pos. | Code | Beschrijving | Aant. | Varianten |
|------|------------|---------------------------|-------|-----------|
| 1 | 2S0002935 | Nummerplaathouder | 1 | |
| 2 | 2S001000 | Archetto portatarga | 1 | |
| 3 | AP8120531 | Rubbertje met inzetstuk | 2 | |
| 4 | GU93232005 | Rubbertje | 1 | |
| 5 | AP8225369 | Bolbout met binnenzeskant | 1 | |
| 6 | 674927 | Spring washer 5,3x7,9x1,1 | 6 | |
| 7 | GU98370516 | Bolbout met binnenzeskant | 2 | |
| 8 | AP8150509 | Zelftap. bout 5x14 | 3 | |
| 9 | AP8152350 | Moer | 4 | |
| 10 | 030072 | Bout M8x35 | 2 | |
| 11 | AP8150447 | Zeskantbout M8x30 | 2 | |
| 12 | AP8150376 | Sluitring 8,5x15x0,8 | 4 | |

| | |
|---------------------|--------------------|
| Groep | Carrosserie |
| Code | 02.150 |
| Beschrijving | Achterste spatbord |
| Revisie | 1 |



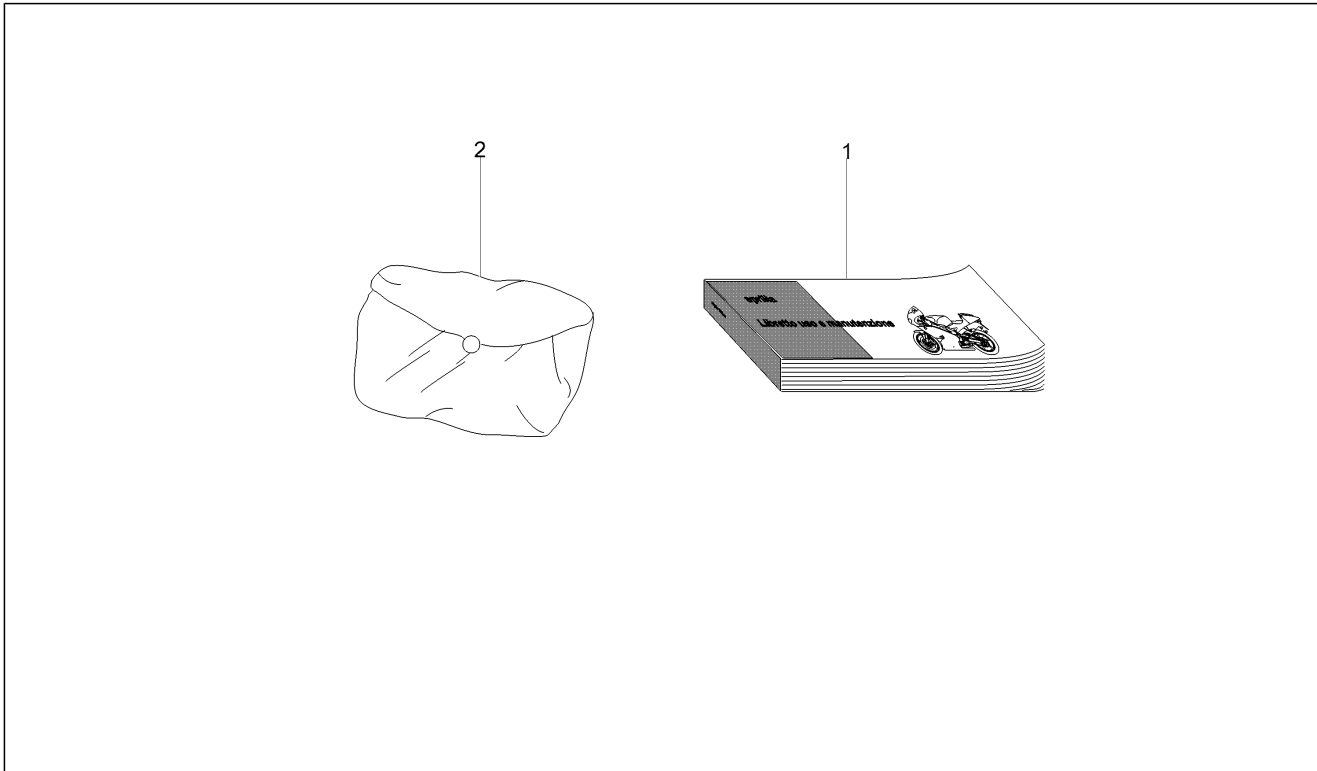
| Pos. | Code | Beschrijving | Aant. | Varianten |
|------|------------|-----------------------------------|-------|-----------|
| 1 | 2S000229 | Achterste spatbord | 1 | |
| 2 | 2S000251 | Bevestigingsbeugel voor. | 1 | |
| 3 | 2S000252 | Bevestigingsbeugel acht. | 1 | |
| 4 | AP8120459 | Trilwerend rubberetje M6 man./vr. | 2 | |
| 5 | GU98370621 | Bolbout met binnenzeskant M6x20 | 1 | |
| 6 | GU98230512 | Bolbout met binnenzeskant | 2 | |
| 7 | 2R000315 | [...] | 4 | |
| 8 | AP8150378 | Sluitring 6,4x18x2 | 6 | |
| 9 | AP8150380 | Sluitring 12,5x6,4* | 6 | |
| 10 | 658830 | Elastische kromme sluitring 6x12 | 2 | |
| 11 | AP8150430 | Zelfborg. moer laag | 5 | |
| 12 | 2S000255 | Rubber | 1 | |
| 13 | 2S000254 | Inox plaat | 1 | |
| 14 | 2B001783 | Spatbordje acht. | 1 | |
| 15 | AP8152278 | Zeskantbout geflenst M6x16 | 4 | |
| 16 | AP8121032 | Huls | 6 | |
| 17 | AP8152299 | Zelfborg.bout gefl. M6 | 6 | |
| 18 | GU98370625 | Bolbout met binnenzeskant M6x25 | 1 | |
| 19 | GU95100141 | Sluitring 6,4x12x1,2 | 1 | |
| 20 | 2S000225 | Afstandhouder | 1 | |
| 21 | 254485 | Spring plate M6 | 1 | |

| | |
|---------------------|-------------|
| Groep | Carrosserie |
| Code | 02.170 |
| Beschrijving | Sloten |
| Revisie | 1 |



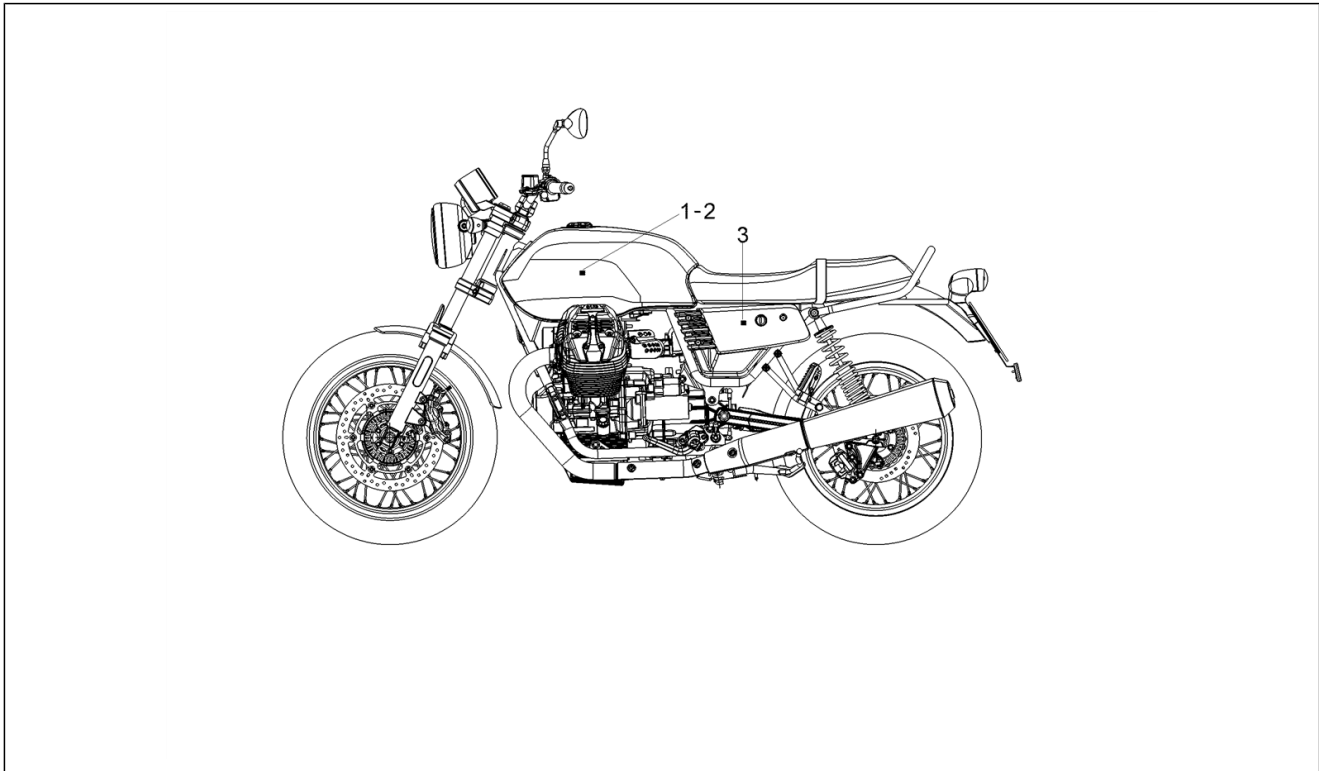
| Pos. | Code | Beschrijving | Aant. | Varianten |
|------|------------|---|-------|-----------|
| 1 | 2B003493 | Kit sloten | 1 | |
| 2 | 2D000351 | Schakelaar met sleutel | 1 | |
| 3 | 2B0039954 | Dop met sleutel | 1 | |
| 4 | 2B003994 | Coppia chiavi lisce | 1 | |
| 5 | 2B004009 | Zadelslot met sleutel | 1 | |
| 6 | AP8121420 | Vorkveer | 1 | |
| 7 | 978415 | Plaatje steun kabel | 1 | |
| 8 | AP8152229 | Trekbout M8x20 | 1 | |
| 9 | GU98682416 | Binnenzeskantbout M8x16 | 1 | |
| 10 | AP8702101 | Binnenzeskantbout met verzonken kop M6x25 | 2 | |
| 11 | 2B003809 | Zadeltransmissie | 1 | |
| 12 | 886820 | Plaatje slot zadel | 1 | |
| 13 | 2B0041865 | | 1 | |
| 14 | 2B004230 | Seegerring 62x2 | 1 | |

| | |
|---------------------|-------------|
| Groep | Carrosserie |
| Code | 02.180 |
| Beschrijving | Plaatjes |
| Revisie | 1 |



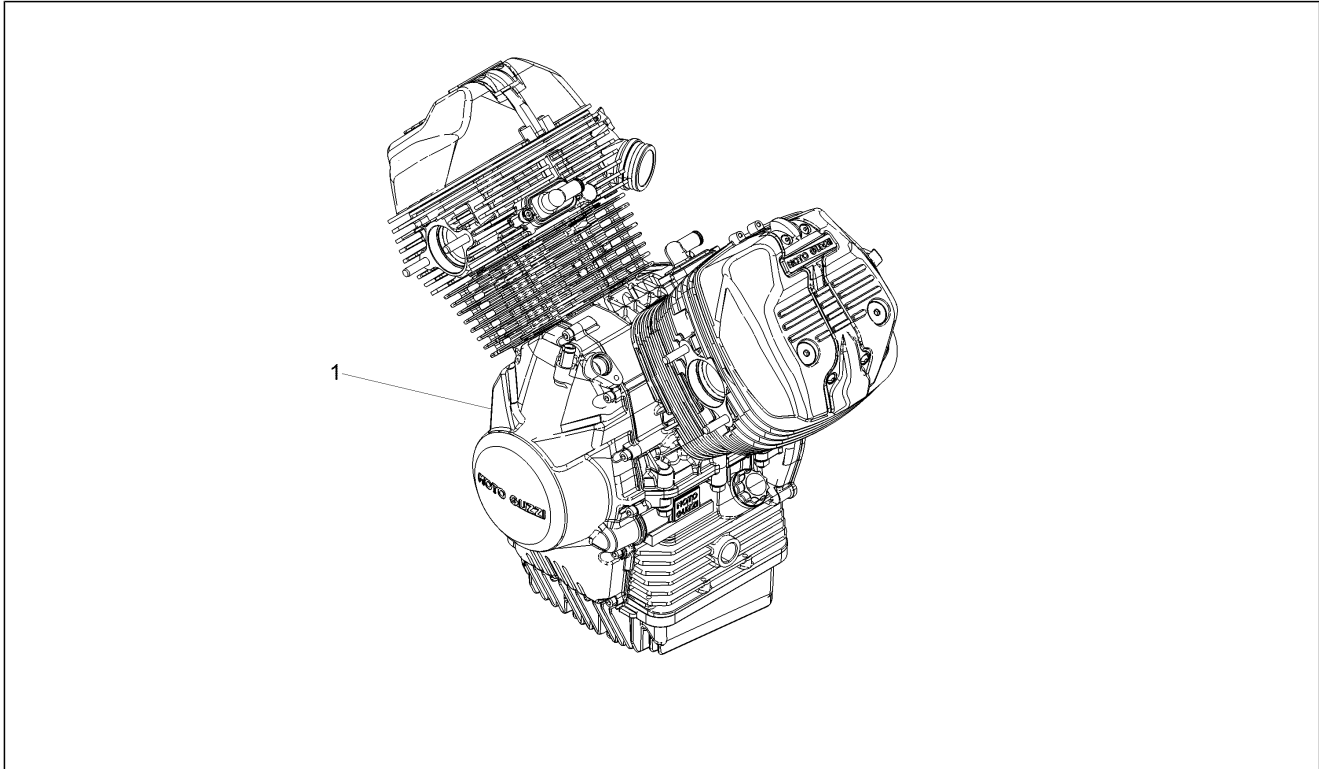
| Pos. | Code | Beschrijving | Aant. | Varianten |
|------|----------|-------------------|-------|--|
| 1 | 2Q000285 | LUM I-F-D-NL-E-UK | 1 | LAND:Singapore[S] Maleisië[M] Thailandia[T] Hong Kong[HK] Australië[AUS] Nieuw Zeeland[NZ] |
| 1 | 2Q000288 | | 1 | LAND:China[ZN] |
| 1 | 2Q000287 | | 1 | LAND:Japan[J] |
| 2 | 2B003306 | Gereedschapstas | 1 | |

| | |
|---------------------|-------------|
| Groep | Carrosserie |
| Code | 02.190 |
| Beschrijving | Plaat |
| Revisie | 1 |



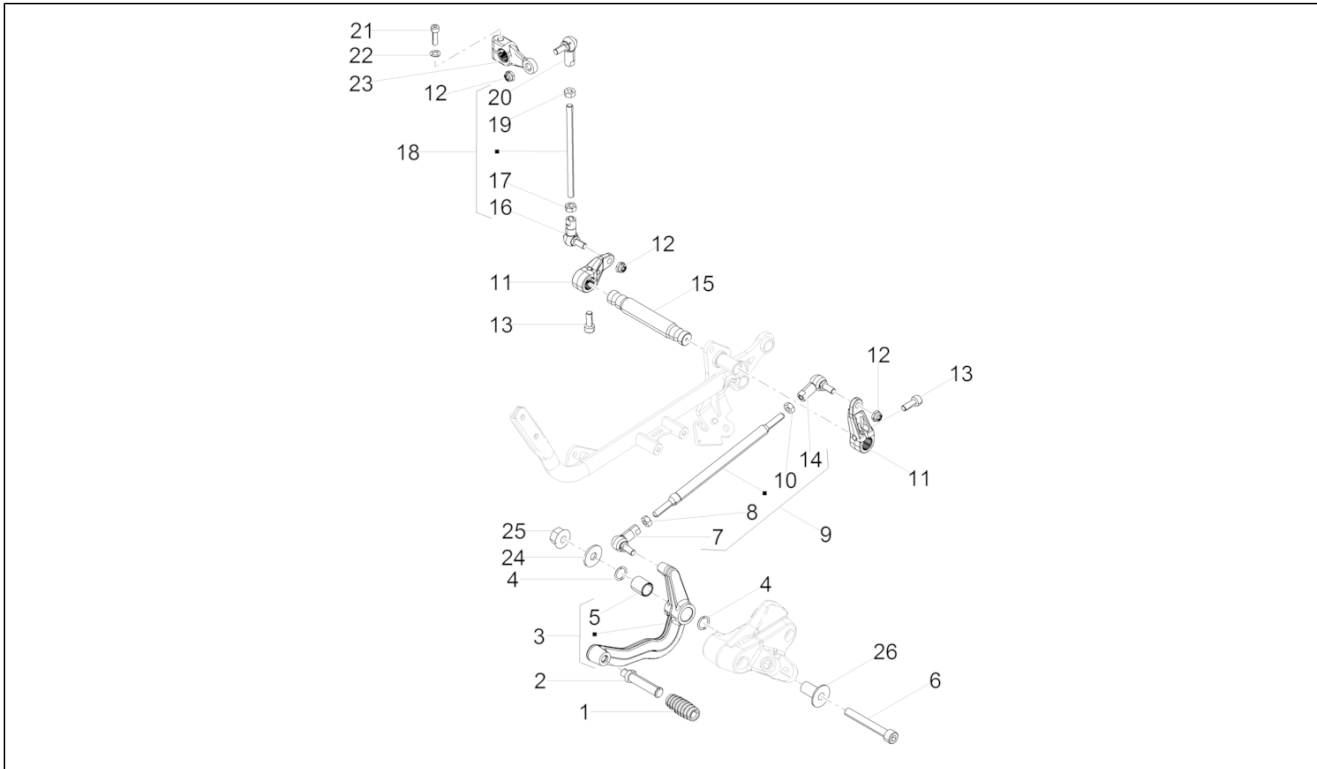
| Pos. | Code | Beschrijving | Aant. | Varianten |
|------|----------|---------------------------|-------|-----------|
| 1 | 2H001860 | Targhetta "aquila" DX | 1 | |
| 2 | 2H001861 | | 1 | |
| 3 | 2H001862 | Plaatje "V7 Anniversario" | 2 | |

| | |
|---------------------|--------------------|
| Groep | Motor |
| Code | 03.010 |
| Beschrijving | Motor-Completering |
| Revisie | 1 |



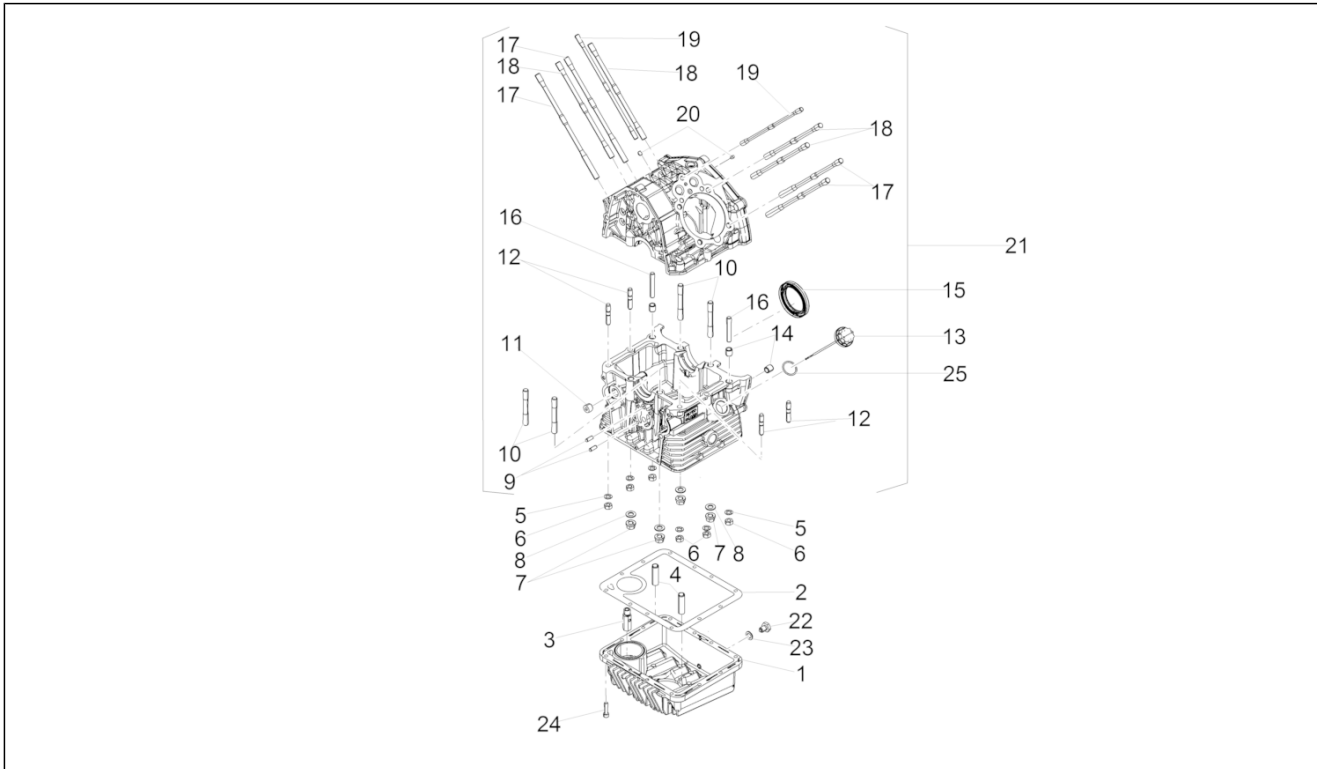
| Pos. | Code | Beschrijving | Aant. | Varianten |
|------|-----------|-----------------------------|-------|-----------|
| 1 | 1A0089045 | Motor cpl. zonder versn.bak | 1 | |

| | |
|---------------------|------------|
| Groep | Motor |
| Code | 03.020 |
| Beschrijving | Gear lever |
| Revisie | 1 |



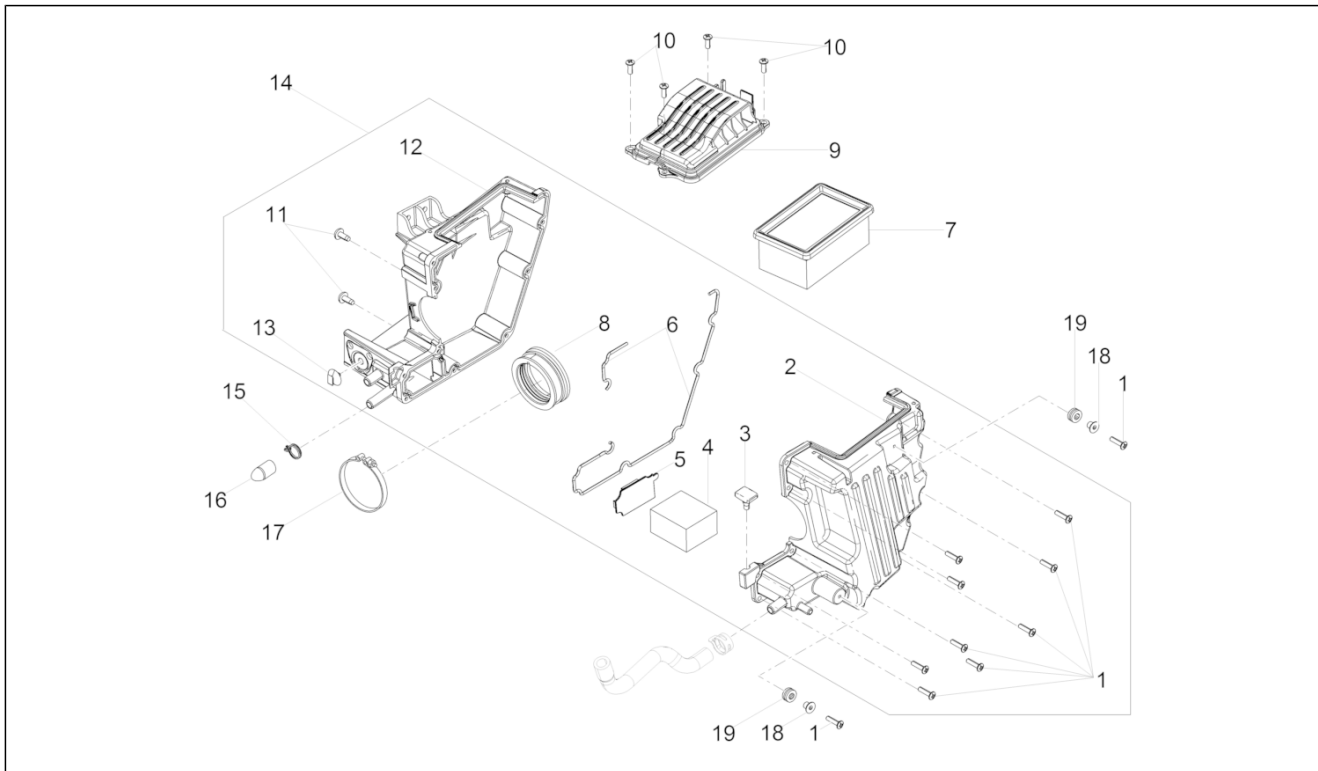
| Pos. | Code | Beschrijving | Aant. | Varianten |
|------|------------|----------------------------|-------|-----------|
| 1 | AP8120912 | Rubbetje voor hendel | 1 | |
| 2 | 887908 | Pedaaltje | 1 | |
| 3 | 2B003348 | Versn.hendel cpl. | 1 | |
| 4 | AP8144007 | OR-ring 11,11x1,78 | 2 | |
| 5 | 895328 | Gesinterde huls | 1 | |
| 6 | GU98680460 | Binnenzeskantbout M8x60 | 1 | |
| 7 | 898397 | Sfeervormig buigpunt li M6 | 1 | |
| 8 | GU92606206 | Moer | 1 | |
| 9 | 2B003606 | Trekker commando versn.bak | 1 | |
| 10 | GU31256881 | Moer schroefdr. LI M6 | 1 | |
| 11 | 898283 | Gear change lever | 2 | |
| 12 | GU92630707 | Moer M6 | 2 | |
| 13 | GU98692318 | Binnenzeskantbout | 2 | |
| 14 | 898396 | Sfeervormig buigpunt re M6 | 1 | |
| 15 | 2B001009 | Pin hendel | 1 | |
| 16 | AP8110053 | Sfeervormig buigpunt li M6 | 1 | |
| 17 | AP8152138 | Moer | 1 | |
| 18 | 2B001941 | Trekker commando versn.bak | 1 | |
| 19 | AP8150026 | Moer M6 | 1 | |
| 20 | AP8210007 | Sfeervormig buigpunt re M6 | 1 | |
| 21 | GU98632322 | Bout | 1 | |
| 22 | GU03013800 | Sluitring 6,4x12 | 1 | |
| 23 | GU20258221 | Hendel voorschakelaar | 1 | |
| 24 | AP8150018 | Sluitring | 1 | |
| 25 | 967363 | Moer M8x1,25 | 1 | |
| 26 | AP8121509 | Huls | 1 | |

| | |
|---------------------|-----------|
| Groep | Motor |
| Code | 03.030 |
| Beschrijving | Carters I |
| Revisie | 1 |



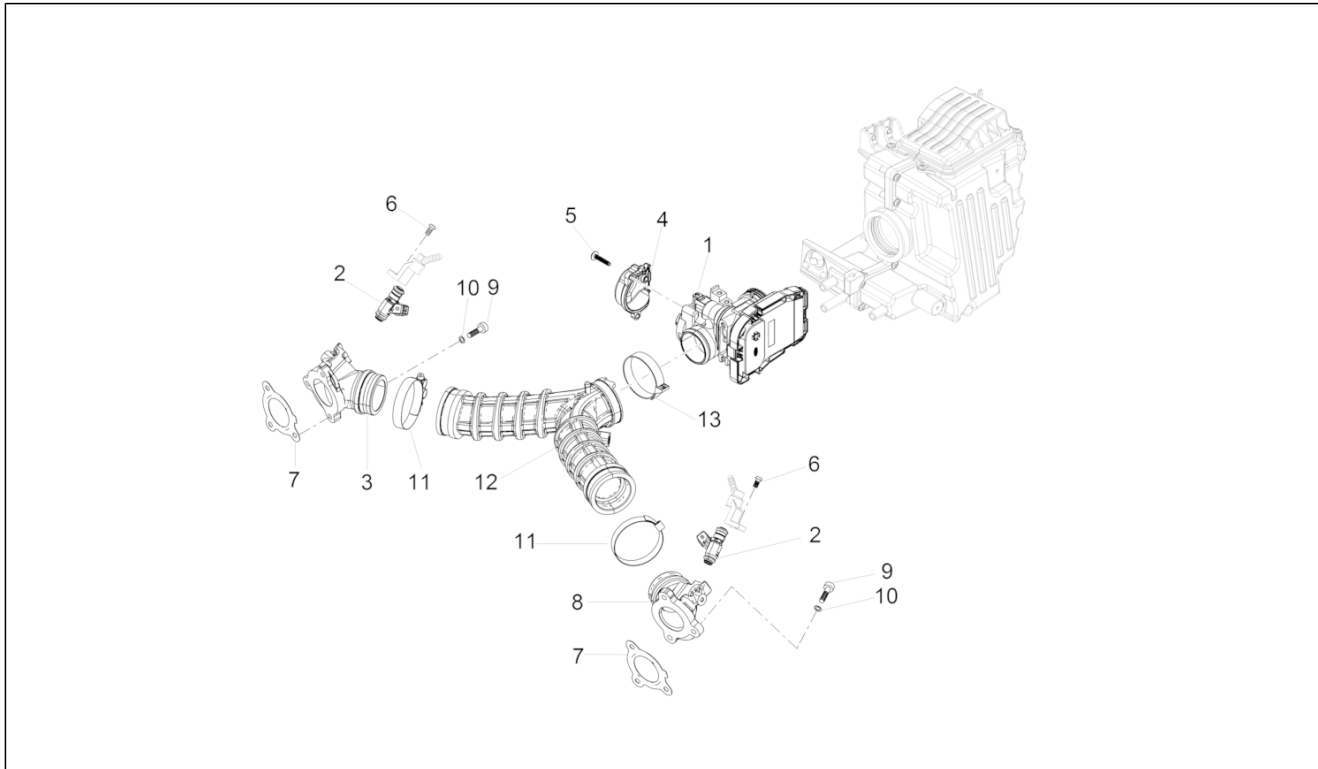
| Pos. | Code | Beschrijving | Aant. | Varianten |
|------|------------|--|-------|-----------|
| 1 | 1A004550 | Pan oil | 1 | |
| 2 | 1A005211 | Pakking oliecarter | 1 | |
| 3 | GU19003800 | Verbinding | 1 | |
| 4 | 1A006047 | Verbindingsbuis | 2 | |
| 5 | 658837 | Elastische gegolfde sluitring D15 F8,4 S1,5 - INOX | 6 | |
| 6 | GU92606208 | Moer M8x1,25 | 6 | |
| 7 | 1A006656 | Moer geflenst M10x1 | 4 | |
| 8 | 1A006655 | Vlakke rondel | 4 | |
| 9 | GU19018920 | Plug | 2 | |
| 10 | 1A004530 | Stiftbout | 4 | |
| 11 | 831135 | Conische dop M14x1,5 | 1 | |
| 12 | GU96451430 | Stiftbout | 4 | |
| 13 | 883826 | Invoerdop olie | 1 | |
| 14 | GU19015020 | Beslagring | 2 | |
| 15 | 886365 | Dichtingsring | 1 | |
| 16 | GU96508055 | Stiftbout | 2 | |
| 17 | 1A006283 | Tapeinde juk lang | 4 | |
| 18 | 1A006284 | Tapeinde juk kort | 4 | |
| 19 | 1A006860 | Tapeinde juk centraal | 2 | |
| 20 | 484993 | Referentiestift | 2 | |
| 21 | 1A0069335 | Gekoppelde onderstellen | 1 | |
| 22 | GU31003766 | Afvoerdop olie M10x1 | 1 | |
| 23 | GU10528900 | Pakking in aluminium | 1 | |
| 24 | GU98682325 | Binnenzeskantbout M6x25 | 12 | |
| 25 | GU90706281 | OR-ring 28,24x2,62 | 1 | |

| | |
|---------------------|------------|
| Groep | Motor |
| Code | 03.050 |
| Beschrijving | Filterkast |
| Revisie | 1 |



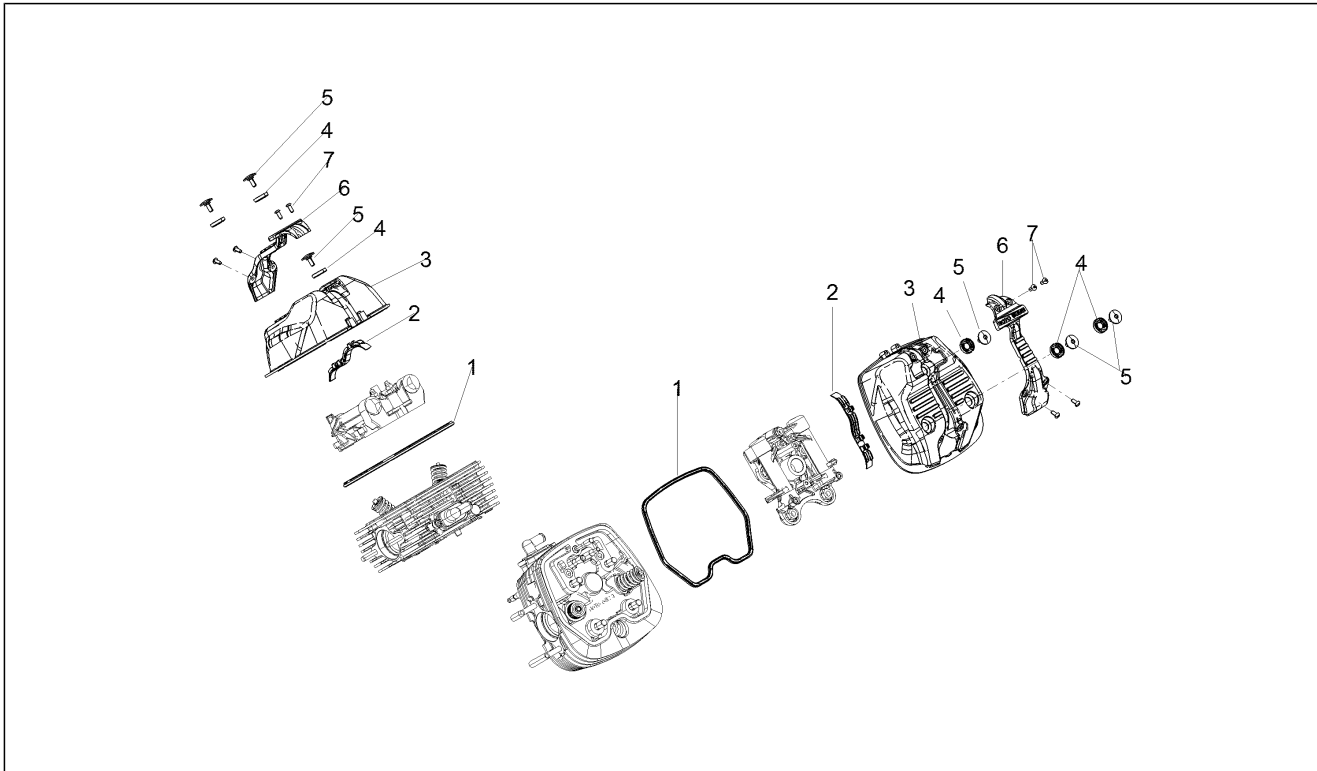
| Pos. | Code | Beschrijving | Aant. | Varianten |
|------|------------|-------------------------------|-------|-----------|
| 1 | AP8152329 | Bout SWP kruiskop gefl. M5x20 | 9 | |
| 2 | 2B002832 | Bedekking filterkast li | 1 | |
| 3 | AP8120455 | Rubbetje | 1 | |
| 4 | AP8104525 | Filter blow-by | 2 | |
| 5 | 2B002851 | Diafragma | 1 | |
| 6 | AP8120615 | Pakking D3 | 1 | |
| 7 | AP8104924 | Luchtfilter | 1 | |
| 8 | 887815 | Aanzuigingsmof | 1 | |
| 9 | 887843 | Bedekking luchtfilter | 1 | |
| 10 | AP8150509 | Zelftap. bout 5x14 | 4 | |
| 11 | AP8120876 | Sluitdop | 2 | |
| 12 | 887844 | Schaal re filterhuis | 1 | |
| 13 | 890760 | Steun connector | 1 | |
| 14 | 2B002959 | Complete filterkist | 1 | |
| 15 | AP8102520 | Klembandje buis | 2 | |
| 16 | AP8161054 | Kapje | 2 | |
| 17 | CM258303 | Klemmetje 63 | 1 | |
| 18 | AP8221023 | 'T'-vormige huls | 2 | |
| 19 | GU91551010 | Rubbetje 10X20X10 | 2 | |

| | |
|---------------------|-------------|
| Groep | Motor |
| Code | 03.060 |
| Beschrijving | Vlinderromp |
| Revisie | 1 |



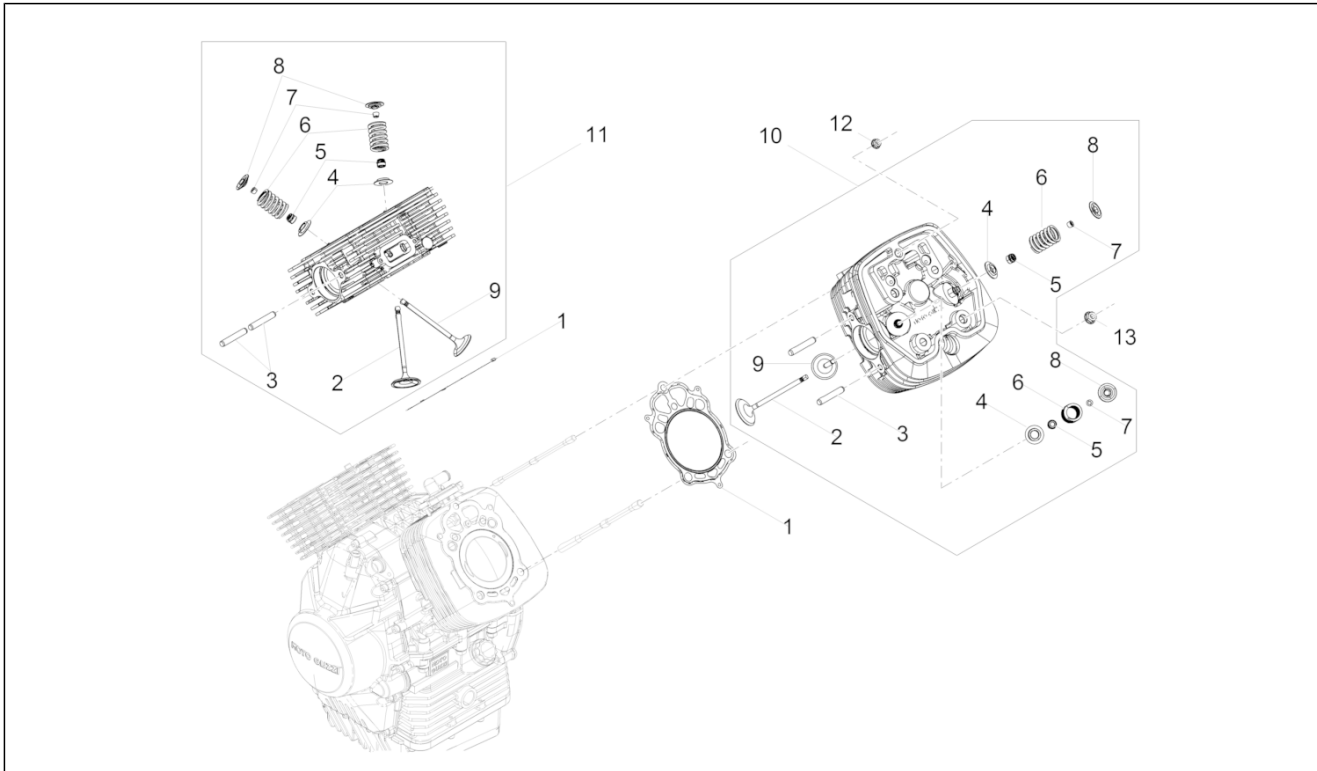
| Pos. | Code | Beschrijving | Aant. | Varianten |
|------|------------|--------------------------------|-------|-----------|
| 1 | CM275405 | Smoorklephuis C.D.I. | 1 | |
| 2 | 1D001393 | Injector | 2 | |
| 3 | 2A000609 | Verbinding re | 1 | |
| 4 | 880260 | Bescherming romp v. | 1 | |
| 5 | B016796 | Bolschroef torx | 3 | |
| 6 | AP8150500 | Bolbout met binnenzeskant M5x9 | 2 | |
| 7 | 2A000612 | Pakking verbinding inlaat | 2 | |
| 8 | 2A000608 | Verbinding li | 1 | |
| 9 | GU98622322 | Bout | 6 | |
| 10 | GU03013800 | Sluitring 6,4x12 | 6 | |
| 11 | CM258301 | Klemmetje | 2 | |
| 12 | 2B001823 | Mof smoorklephuis | 1 | |
| 13 | CM258301 | Klemmetje | 1 | |

| | |
|---------------------|-----------|
| Groep | Motor |
| Code | 03.090 |
| Beschrijving | Kopdeksel |
| Revisie | 1 |



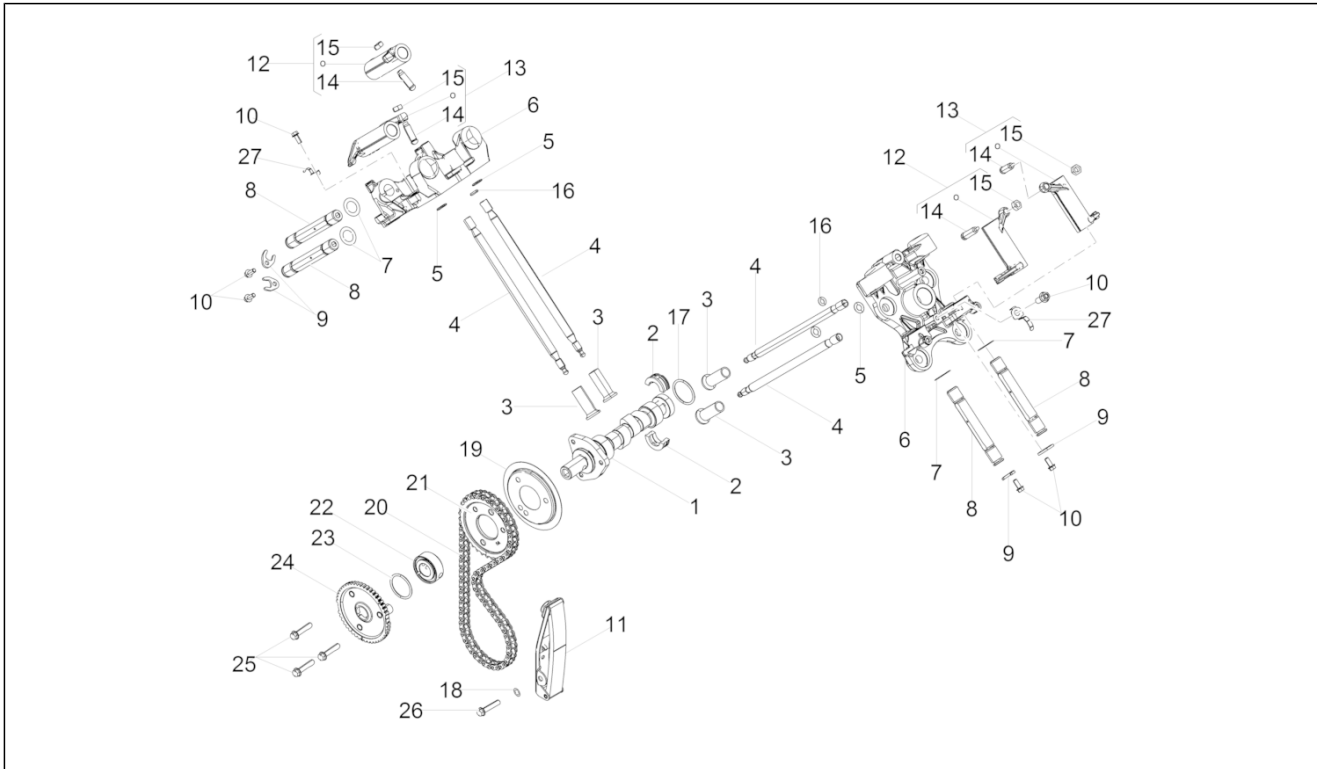
| Pos. | Code | Beschrijving | Aant. | Varianten |
|------|-----------|--|-------|-----------|
| 1 | 2A000565 | Pakking bedekking kop | 2 | |
| 2 | 2A000659 | Kabelwartel | 2 | |
| 3 | 2A000339 | Kopdeksel | 2 | |
| 4 | 1A006716 | Buffer demper | 6 | |
| 5 | 976591 | Speciale bout | 6 | |
| 6 | 2A000620 | Bedekking bougie | 2 | |
| 7 | AP8152267 | Speciale bolbout met binnenzeskant M5x12 | 8 | |

| | |
|---------------------|---------------|
| Groep | Motor |
| Code | 03.100 |
| Beschrijving | Kop - kleppen |
| Revisie | 1 |



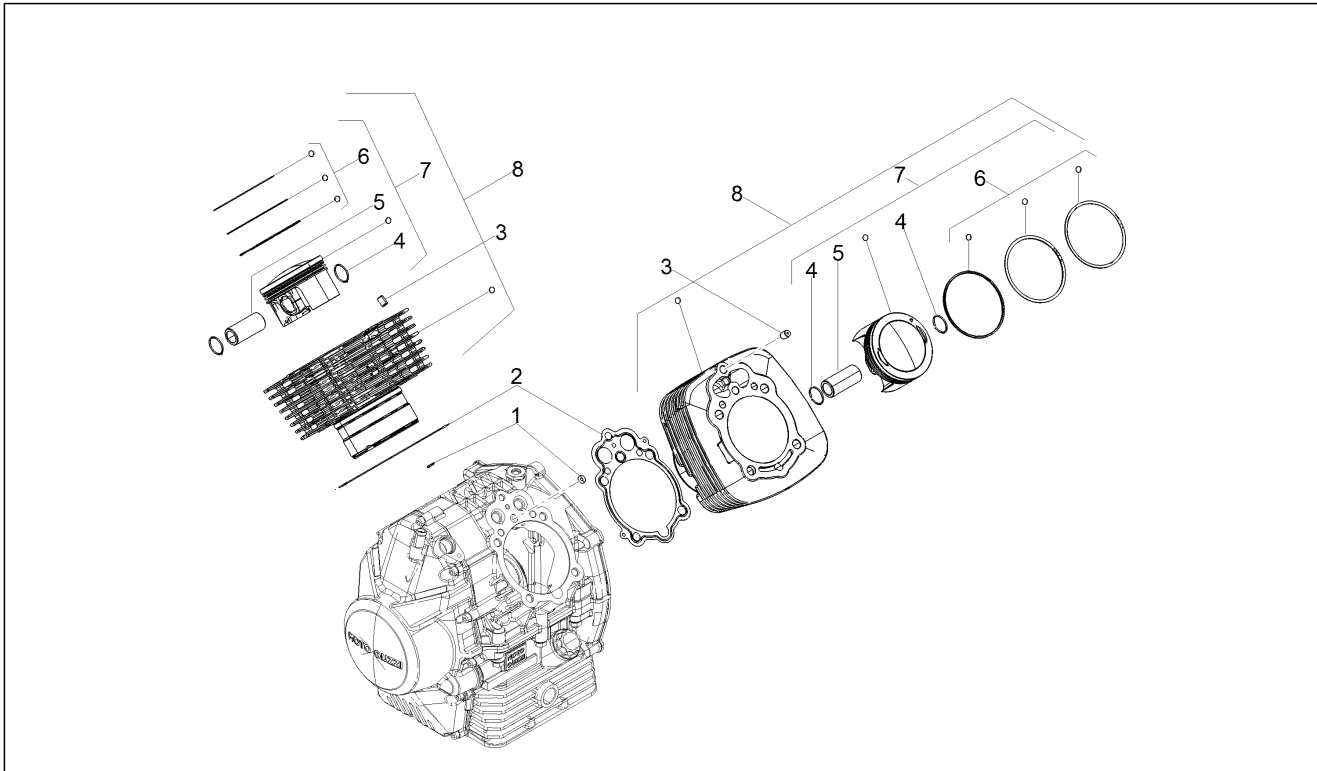
| Pos. | Code | Beschrijving | Aant. | Varianten |
|------|-----------|------------------------------------|-------|-----------|
| 1 | 1A006542 | Guarnizione testa-cilindro sp. 0,8 | 1 | |
| 1 | 1A006541 | Guarnizione testa-cilindro sp. 0,6 | 1 | |
| 1 | 1A006543 | Guarnizione testa-cilindro sp. 1.0 | 1 | |
| 2 | 1A005424 | Aanzuigklep | 1 | |
| 3 | B017636 | Stiftbout uitlaat | 2 | |
| 4 | 1A004751 | Veerplaat ond. | 4 | |
| 5 | 1A003452 | Dichtingsring klep | 2 | |
| 6 | 1A004752 | Spanveer | 2 | |
| 7 | 871640 | Halfconus | 8 | |
| 8 | 1A004750 | Veerplaat bov. | 4 | |
| 9 | 1A005425 | Exhaust valve | 1 | |
| 10 | 1A0068695 | Kop cilinder li cpl. | 1 | |
| 11 | 1A0068705 | Kop cilinder re cpl. | 1 | |
| 12 | 1A006659 | Moer geflenst M8x1.25 | 1 | |
| 13 | 825694 | Moer M10x1,25 | 1 | |

| | |
|---------------------|---------------|
| Groep | Motor |
| Code | 03.120 |
| Beschrijving | Timing system |
| Revisie | 1 |



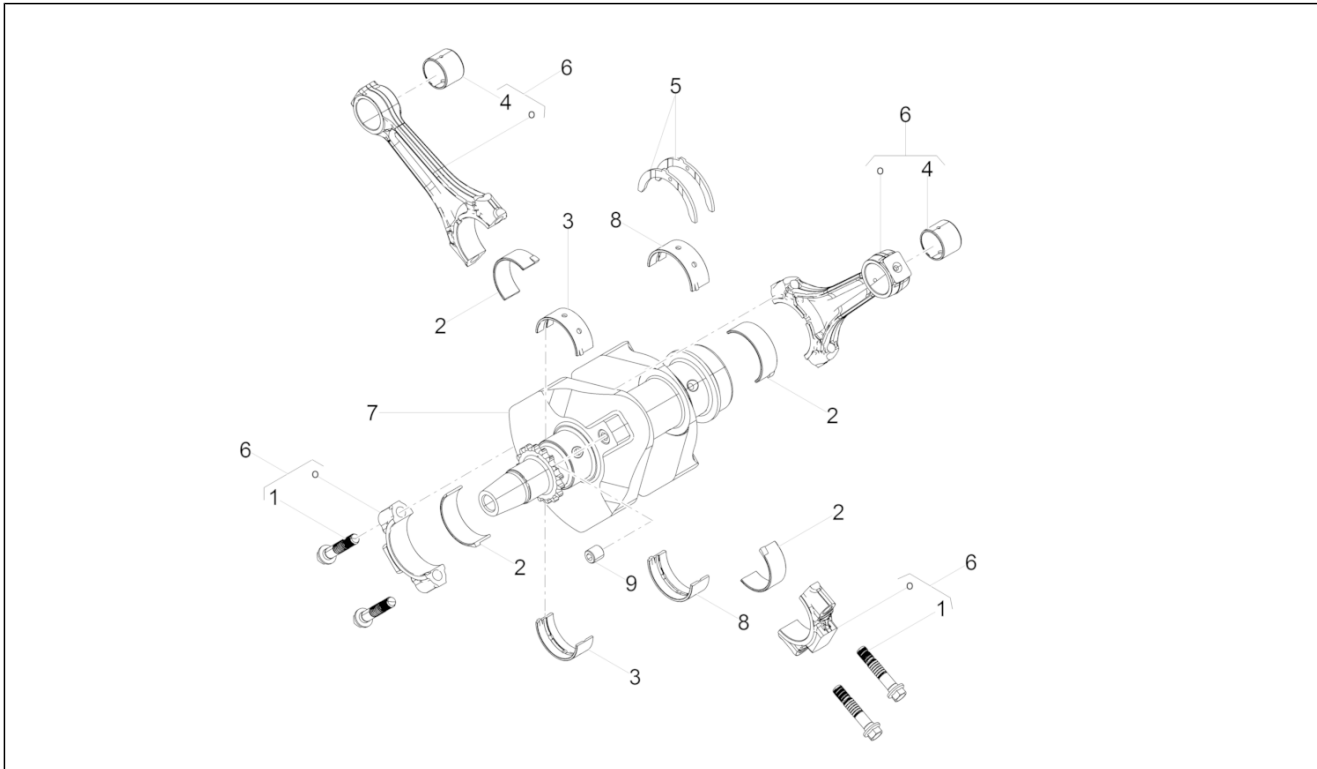
| Pos. | Code | Beschrijving | Aant. | Varianten |
|------|------------|------------------------------------|-------|-----------|
| 1 | 1A005712 | Nokkenas | 1 | |
| 2 | GU19055700 | Sector blokk. | 2 | |
| 3 | GU19045861 | Kleplicht. | 4 | |
| 4 | 2A000496 | Staafl balanceringen | 4 | |
| 5 | 2A000579 | O-Ring dichting 2,62x9.19 | 4 | |
| 6 | 2A0003535 | Steun balanceringen | 2 | |
| 7 | 1A005951 | Elastische kromme sluitring | 4 | |
| 8 | 2A000528 | Pin balancering | 4 | |
| 9 | 2A000521 | Vork | 4 | |
| 10 | AP8152272 | Zeskantbout geflenst M5x12 | 4 | |
| 11 | GU19058220 | Kettingspanner distr. | 1 | |
| 12 | 1A004905 | Tuimelaar aanzuiging re uitlaat li | 2 | |
| 13 | 1A004903 | Tuimelaar aanzuiging li uitlaat re | 2 | |
| 14 | 1A004907 | Regelbout | 2 | |
| 15 | GU10034100 | Moer | 2 | |
| 16 | 1A006861 | Dichtingsring | 2 | |
| 17 | GU90353029 | Elastische ring | 1 | |
| 18 | GU95129115 | Sluitring | 1 | |
| 19 | 1A005955 | Staalplaatje | 2 | |
| 20 | GU19058021 | Distributieketting | 1 | |
| 21 | 1A006243 | Distributiekroon | 1 | |
| 22 | 1A006119 | Afstandhouder | 1 | |
| 23 | 1A006127 | O-ring | 1 | |
| 24 | 1A0057145 | Geluidswiel | 1 | |
| 25 | 1A008576 | ***FLANGED HEXAGONAL HEAD SCREW | 3 | |
| 26 | GU98882316 | Bout | 1 | |
| 27 | 2A000527 | Staalplaatje | 2 | |

| | |
|---------------------|-----------------|
| Groep | Motor |
| Code | 03.150 |
| Beschrijving | Cilinder-Zuiger |
| Revisie | 1 |



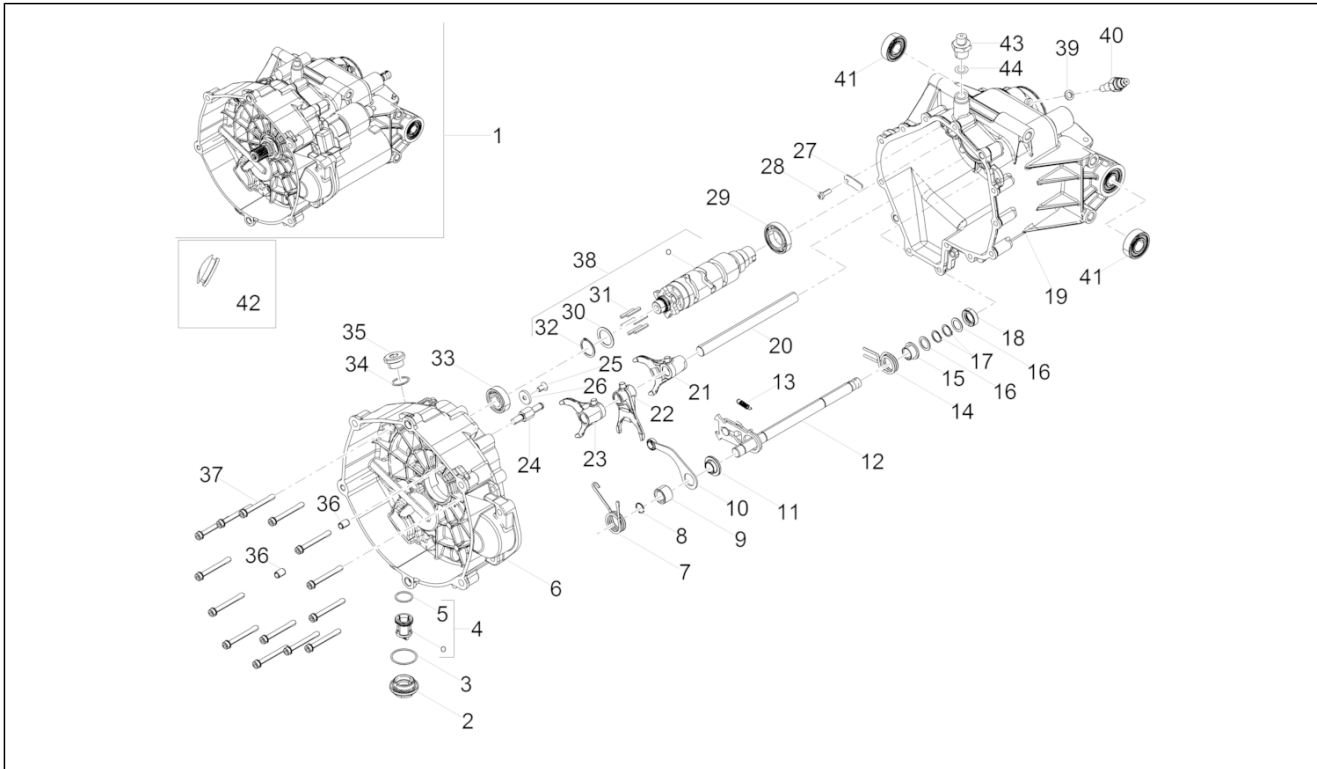
| Pos. | Code | Beschrijving | Aant. | Varianten |
|------|------------|-------------------------|-------|-----------|
| 1 | GU61027200 | OR-ring | 2 | |
| 2 | 1A007070 | Pakking cilinder/carter | 2 | |
| 3 | GU19021360 | Beslagring | 2 | |
| 4 | 874567 | Blokkeerring | 4 | |
| 5 | 1A004956 | Zuigerpen | 2 | |
| 6 | B063466 | Kit elastische banden | 2 | |
| 7 | 1A0065490G | Pistone completo cat.G | 1 | |
| 7 | 1A0065490H | Pistone completo cat.H | 1 | |
| 7 | 1A0065490L | Pistone completo cat.L | 1 | |
| 7 | 1A0065490M | Pistone completo cat.M | 1 | |
| 8 | 1A0090945 | [...] | 1 | |

| | |
|---------------------|----------|
| Groep | Motor |
| Code | 03.160 |
| Beschrijving | Drijfjas |
| Revisie | 1 |



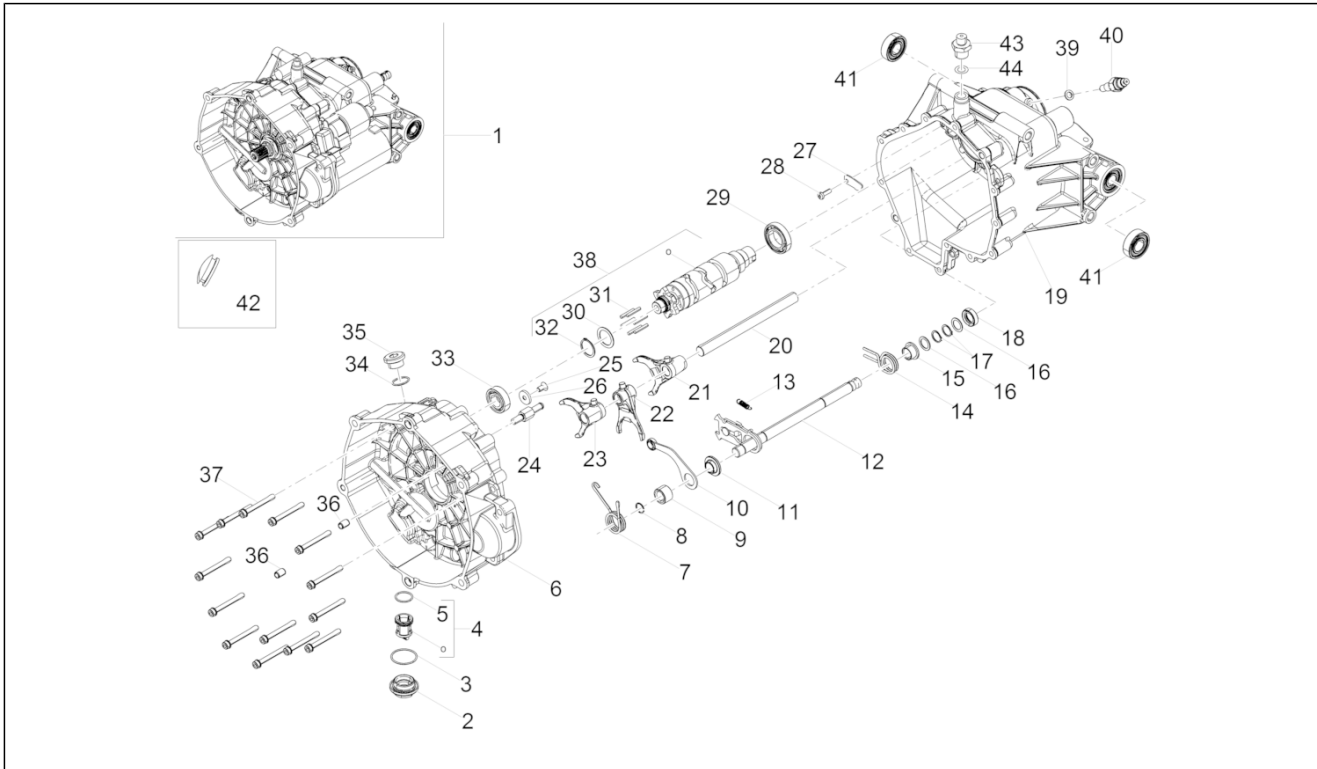
| Pos. | Code | Beschrijving | Aant. | Varianten |
|------|------------|--------------------------------|-------|-----------|
| 1 | GU19062261 | Bout | 4 | |
| 2 | 1A0068960R | Drijfstanglagerschaal rood | 4 | |
| 2 | 1A0068960B | Drijfstanglagerschaal blauw | 4 | |
| 2 | 1A0068960G | Drijfstanglagerschaal geel | 4 | |
| 3 | 1A0066680N | Hoofdlagerschaal voor. zwart | 1 | |
| 3 | 1A0066680V | Hoofdlagerschaal voor. groen | 1 | |
| 3 | 1A0066680G | Hoofdlagerschaal voor. geel | 1 | |
| 4 | GU27061885 | Beslagring | 2 | |
| 5 | GU27066460 | Halfsluitring | 2 | |
| 6 | 1A005325BB | Drijfstang klasse selectie "B" | 1 | |
| 6 | 1A005325AA | Drijfstang klasse selectie "A" | 1 | |
| 7 | 1A006600BB | Drijfjas cpl.cat.2 | 1 | |
| 7 | 1A006600AA | Drijfjas cpl.cat.1 | 1 | |
| 8 | 1A0066690V | Hoofdlagerschaal acht. groen | 2 | |
| 8 | 1A0066690G | Hoofdlagerschaal acht. geel | 2 | |
| 8 | 1A0066690N | Hoofdlagerschaal acht. zwart | 2 | |
| 9 | GU19065400 | Dop | 1 | |

| | |
|---------------------|---|
| Groep | Motor |
| Code | 03.170 |
| Beschrijving | Versnellingsbak / Keuzeschakelaar / Shift cam |
| Revisie | 1 |



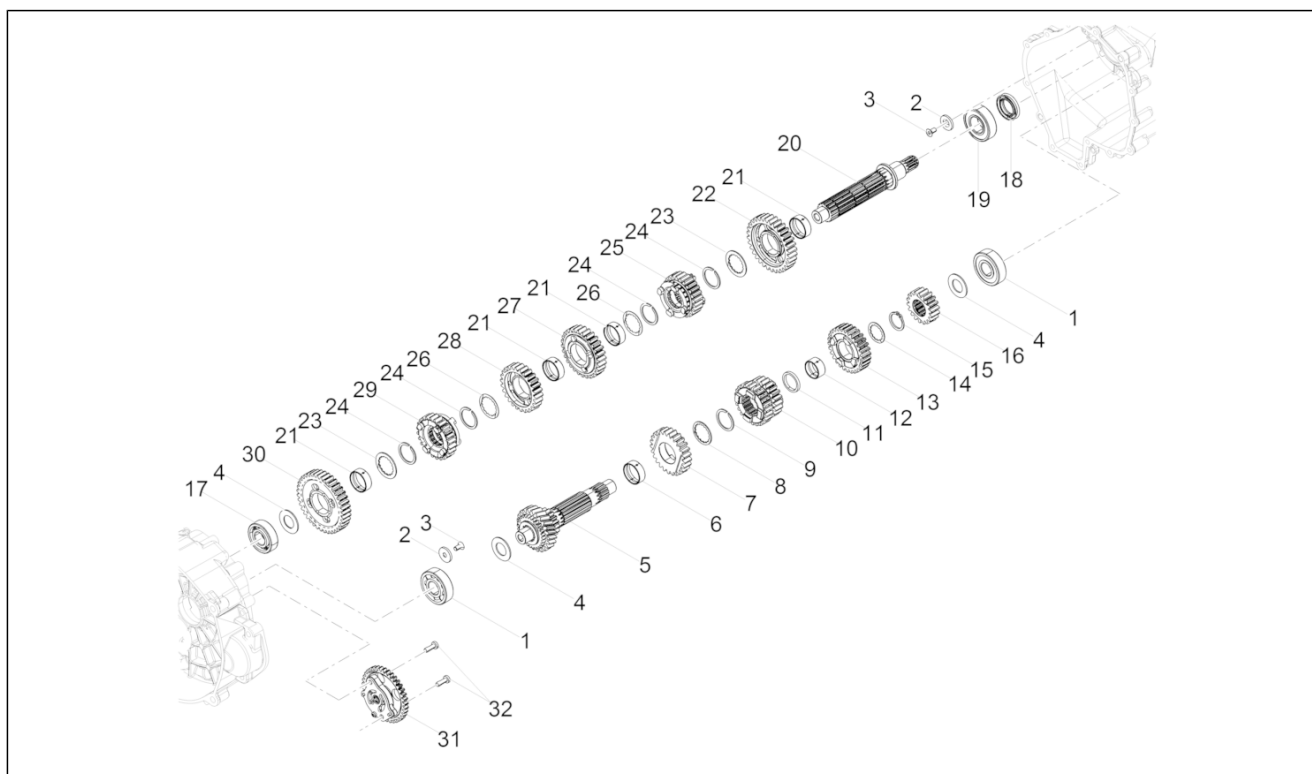
| Pos. | Code | Beschrijving | Aant. | Varianten |
|------|------------|--------------------------|-------|---|
| 1 | 2A0008365 | Complete versnellingsbak | 1 | |
| 2 | B015598 | Dop oliefilter | 1 | |
| 3 | 285536 | OR-ring 31,47x1,78 | 1 | |
| 4 | B018020 | Oliefilter cpl. | 1 | |
| 5 | B017406 | OR-ring 20.35x1.78 | 1 | |
| 6 | 2A0007505 | Koppelingsblok | 1 | Technische specificatie:OLD[OLD] |
| 6 | 2A0009105 | Koppelingsblok | 1 | Technische specificatie:NEW[NEW] |
| 7 | B064113 | Veer index | 1 | |
| 8 | GU90353014 | Seegerring | 1 | |
| 9 | GU05234230 | Afstandhouder | 1 | |
| 10 | B064112 | Hendel index cpl. | 1 | |
| 11 | GU05238431 | Beslagring | 1 | |
| 12 | 2A000219 | Voorschakelaar cpl. | 1 | |
| 13 | GU05238231 | Veer | 1 | |
| 14 | B063956 | Trekveer schakelaar | 1 | |
| 15 | 2A000467 | Afstandhouder | 1 | |
| 16 | GU05239330 | Koppelschotel | 2 | |
| 17 | GU90271014 | Seegerring | 2 | |
| 18 | GU90401424 | Dichtingsring 14x24x7 | 1 | |
| 19 | 2A0007425 | Not available | 1 | Technische specificatie:OLD[OLD] |
| 19 | 2A0009085 | Not available | 1 | Technische specificatie:NEW[NEW] |
| 20 | 2A000224 | Staaaf | 1 | |
| 21 | 2A000226 | Vork 2-3 snelh. | 1 | |
| 22 | 2A000227 | Vork 5-6 versn. | 1 | |
| 23 | 2A000225 | Vork voor secundaire as | 1 | |
| 24 | 2A000415 | Blokkeerbout | 1 | |
| 25 | B013608 | Bout TSEI | 1 | |
| 26 | 873905 | Rondel | 1 | |

| | |
|---------------------|---|
| Groep | Motor |
| Code | 03.170 |
| Beschrijving | Versnellingsbak / Keuzeschakelaar / Shift cam |
| Revisie | 1 |



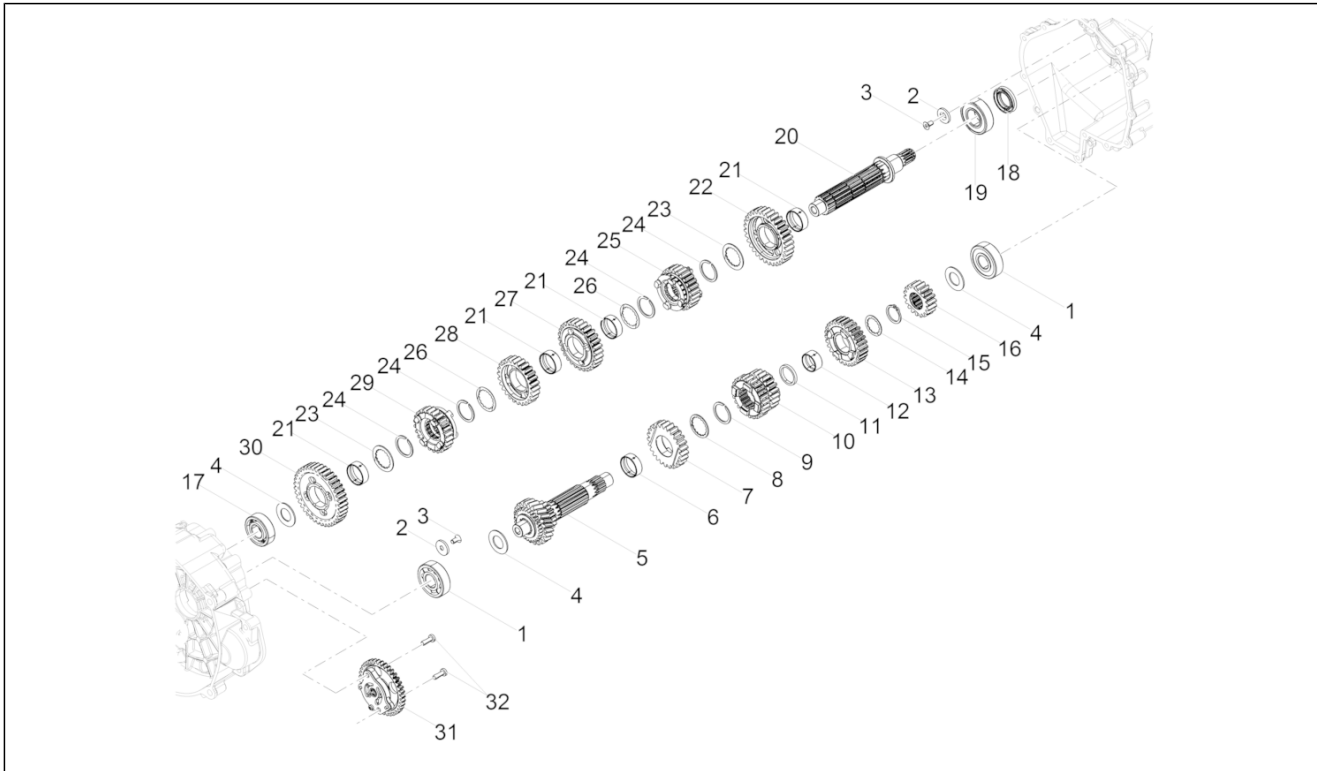
| Pos. | Code | Beschrijving | Aant. | Varianten |
|------|------------|----------------------------------|-------|-----------|
| 27 | 2A000241 | Bout torx M5x16 | 1 | |
| 27 | 2A000306 | Plaatje blokk. | 1 | |
| 28 | 2A000241 | Bout torx M5x16 | 1 | |
| 29 | 857250 | Kogellager 25x42x9 | 1 | |
| 30 | GU05235531 | Dikte | 1 | |
| 31 | GU05234631 | Pin | 6 | |
| 32 | GU90271022 | Seegerring | 1 | |
| 33 | 834764 | Lager | 1 | |
| 34 | GU90706203 | OR-ring 20,24X2,62 | 1 | |
| 35 | GU12022600 | Oliedop | 1 | |
| 36 | GU19002020 | Beslagring 6,6x9x13 | 2 | |
| 37 | 2A000591 | Speciale binnenzeskantbout M6x55 | 14 | |
| 38 | 2A000222 | Shift cam cpl. | 1 | |
| 39 | B063025 | Pakking 8,7x14,2x1,3 | 1 | |
| 40 | B063269 | Sensor vrij | 1 | |
| 41 | 2A000097 | Kogellager 6202-2RSH/C3 LHT23 | 2 | |
| 42 | GU93180220 | Dop | 1 | |
| 43 | 2A000438 | Dop ontluchting | 1 | |
| 44 | GU01528930 | Pakking 10x18x1,5 | 1 | |

| | |
|---------------------|---------------------------------|
| Groep | Motor |
| Code | 03.180 |
| Beschrijving | Versnellingsbak - Gear assembly |
| Revisie | 1 |



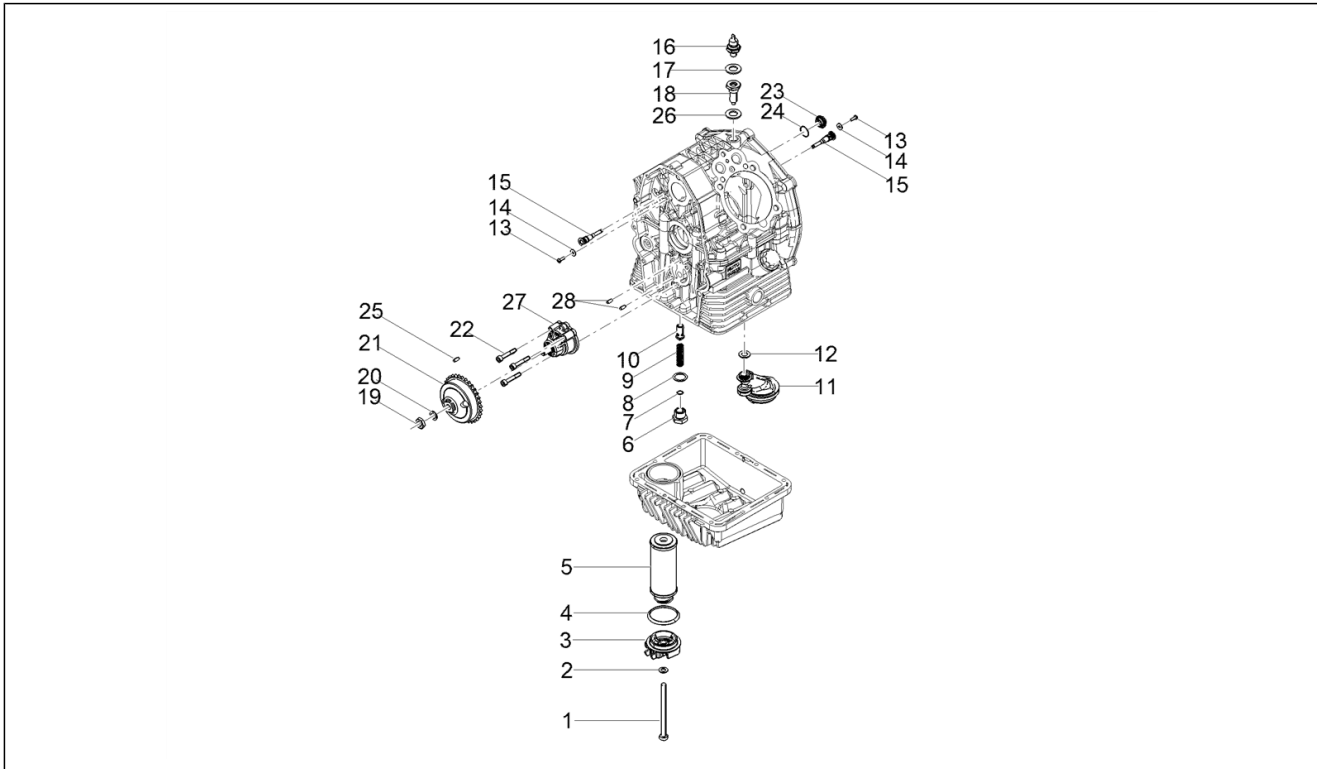
| Pos. | Code | Beschrijving | Aant. | Varianten |
|------|------------|------------------------------|-------|-----------|
| 1 | GU92201822 | Kogellager 20x52x15 | 2 | |
| 2 | 873928 | Rondel | 2 | |
| 3 | B013608 | Bout TSEI | 2 | |
| 4 | 1A000566 | Steuning | 1 | |
| 5 | 2A000625 | Primaire as | 1 | |
| 6 | 849308 | Zwevende beslagring | 1 | |
| 7 | 1A000360 | Raderwerk 5de snelheid' | 1 | |
| 8 | 849424 | Steunende sluitring | 1 | |
| 9 | 1A002604 | Elastische ring voor assen | 1 | |
| 10 | 1A000436 | Sliding pinion 3a - 4a vel. | 1 | |
| 11 | B015040 | Steuning | 1 | |
| 12 | 974162 | Zwevende beslagring | 1 | |
| 13 | 2A000627 | Raderw. 6e | 1 | |
| 14 | 849396 | Steunende sluitring | 1 | |
| 15 | 974165 | Elastische ring | 1 | |
| 16 | 1A000365 | Raderw.2e op prim. | 1 | |
| 17 | 848650 | Kogellager 20x47x14 | 1 | |
| 18 | GU90412541 | Dichtingsring 25X40X7 | 1 | |
| 19 | GU92201226 | Kogellager 25x52x15 | 1 | |
| 20 | 2A000203 | Secundaire versnellingsbakas | 1 | |
| 21 | 849308 | Zwevende beslagring | 4 | |
| 22 | 1A000366 | Gear Z=32 | 1 | |
| 23 | 849309 | Steunende sluitring | 2 | |
| 24 | 1A002604 | Elastische ring voor assen | 4 | |
| 25 | 1A000370 | Raderw. 6e Z=24 | 1 | |
| 26 | 849310 | Steunende sluitring | 2 | |
| 27 | 1A000367 | Gear Z=28 | 1 | |
| 28 | 1A000368 | Gear Z=26 | 1 | |

| | |
|---------------------|---------------------------------|
| Groep | Motor |
| Code | 03.180 |
| Beschrijving | Versnellingsbak - Gear assembly |
| Revisie | 1 |



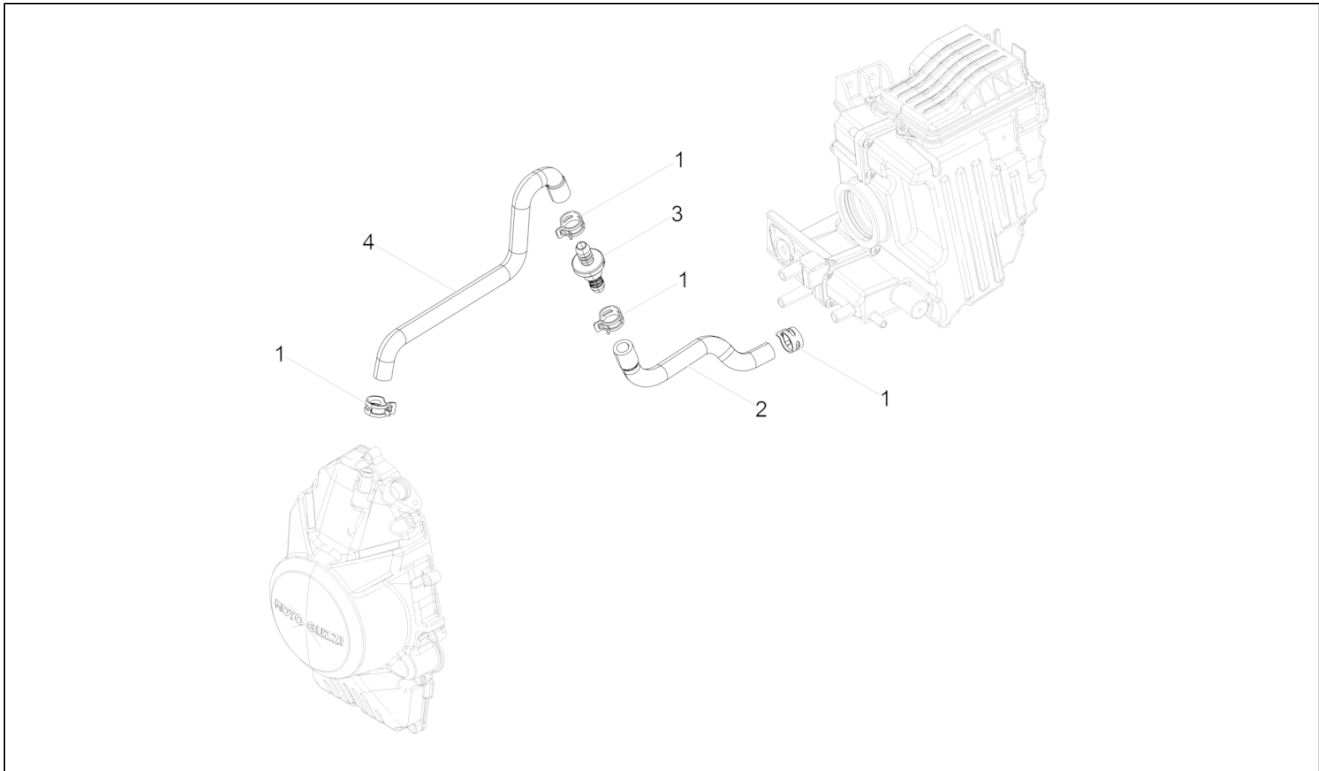
| Pos. | Code | Beschrijving | Aant. | Varianten |
|------|----------|-----------------|-------|-----------|
| 29 | 1A000369 | Gear wheel Z=24 | 1 | |
| 30 | 2A000629 | 1st gear | 1 | |
| 31 | B018448 | Oliepomp cpl. | 1 | |
| 32 | 2A000241 | Bout torx M5x16 | 2 | |

| | |
|---------------------|---------|
| Groep | Motor |
| Code | 03.190 |
| Beschrijving | Smering |
| Revisie | 1 |



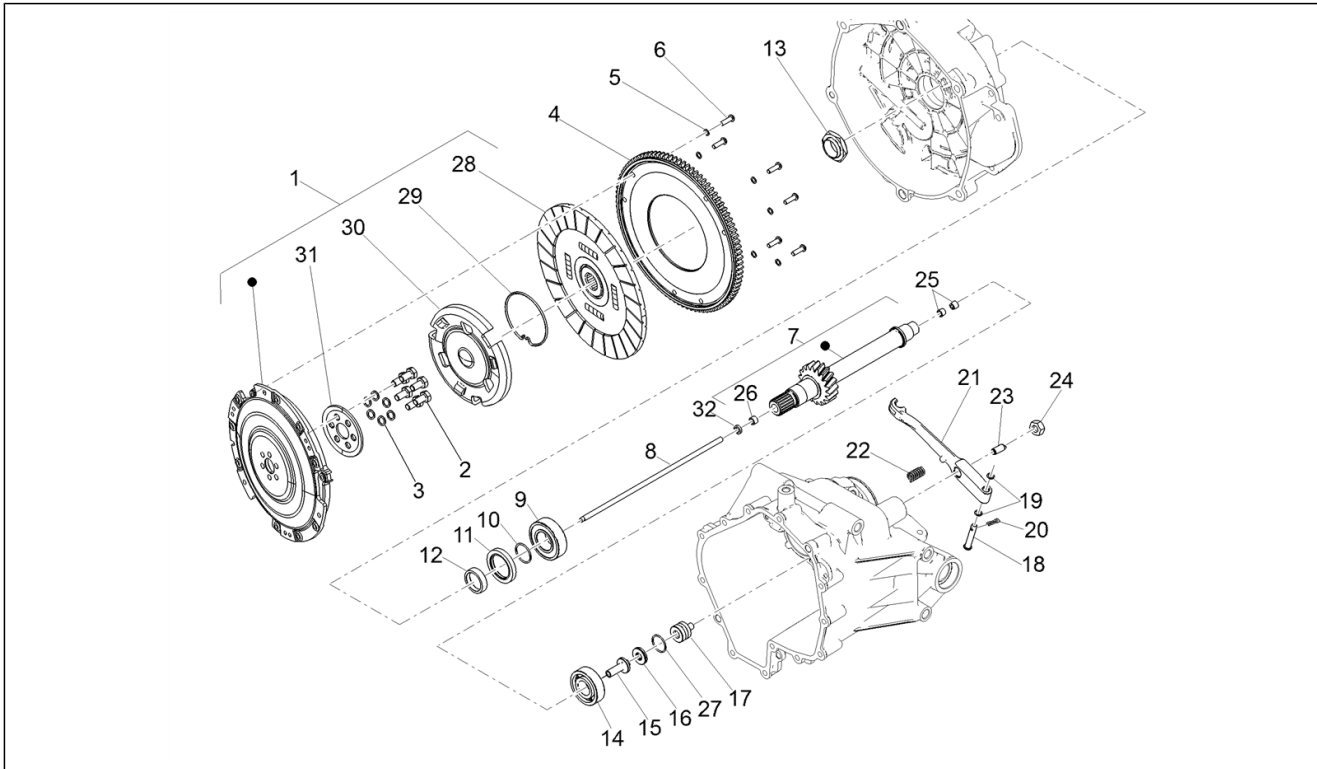
| Pos. | Code | Beschrijving | Aant. | Varianten |
|------|------------|---------------------------------------|-------|-----------|
| 1 | GU27152885 | Schroefbout | 1 | |
| 2 | GU12154200 | Pakking 8,25x15x1 | 1 | |
| 3 | 1A005199 | Bedekking oliefilter | 1 | |
| 4 | GU90706444 | OR-ring | 1 | |
| 5 | 2A000633 | Oliefilter | 1 | |
| 6 | GU31159050 | Dop | 1 | |
| 7 | GU95008206 | Sluitring 6,15x11x0,8 | 1 | |
| 8 | GU18144350 | Sluitring 18,25x24x1 | 3 | |
| 9 | GU94321079 | Veer | 1 | |
| 10 | GU31150950 | Zuigertje | 1 | |
| 11 | 1A004549 | Filter | 1 | |
| 12 | 237553 | OR-ring | 1 | |
| 13 | 1A005257 | Bolkopschroef | 2 | |
| 14 | 013763 | Vlakke rondel 4,2x12x1 | 2 | |
| 15 | 1A004442 | Koeling zuiger | 2 | |
| 16 | 643090 | Sensor min. oliedruk | 1 | |
| 17 | GU95100309 | Sluitring | 1 | |
| 18 | 887093 | Verbinding zender | 1 | |
| 19 | GU92602510 | Moer M10x1,25 | 1 | |
| 20 | AP8152220 | Gekart. sluitring | 1 | |
| 21 | GU20147710 | Raderw.pomp | 1 | |
| 22 | 1A007008 | Binnenzeskantbout M6x35 preimpregnata | 3 | |
| 23 | 826165 | Dop oliefilter | 1 | |
| 24 | 285536 | OR-ring 31,47x1,78 | 1 | |
| 25 | GU92296723 | Rol | 1 | |
| 26 | GU95100602 | Pakking | 1 | |
| 27 | 1A006053 | Oil pump assembly | 1 | |
| 28 | GU19018920 | Plug | 2 | |

| | |
|---------------------|----------------|
| Groep | Motor |
| Code | 03.196 |
| Beschrijving | Blow-by system |
| Revisie | 1 |



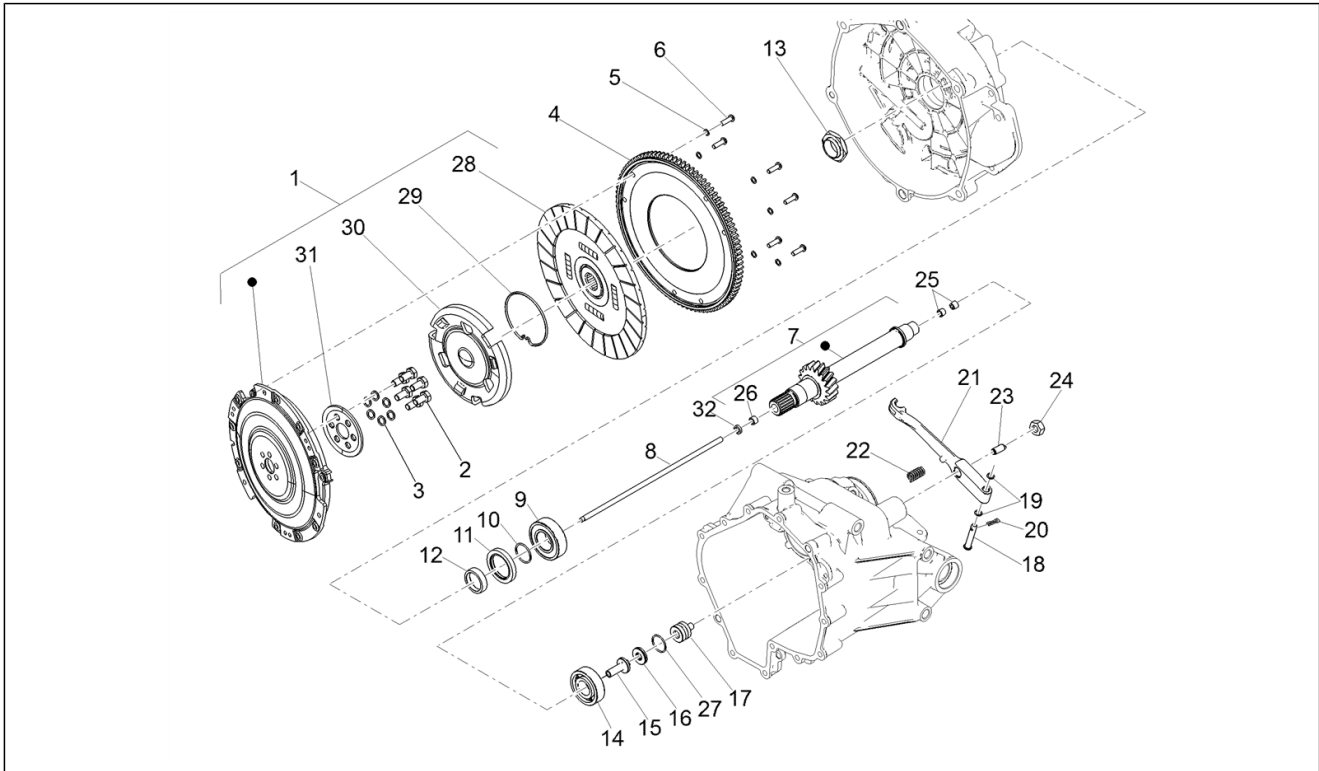
| Pos. | Code | Beschrijving | Aant. | Varianten |
|------|----------|-------------------------|-------|-----------|
| 1 | CM226902 | Klemring met veer 19/12 | 4 | |
| 2 | 2B003204 | Leiding blow by | 1 | |
| 3 | 2B003105 | Blokkeerklap | 1 | |
| 4 | 2B002602 | Leiding blow by | 1 | |

| | |
|---------------------|-----------|
| Groep | Motor |
| Code | 03.230 |
| Beschrijving | Koppeling |
| Revisie | 1 |



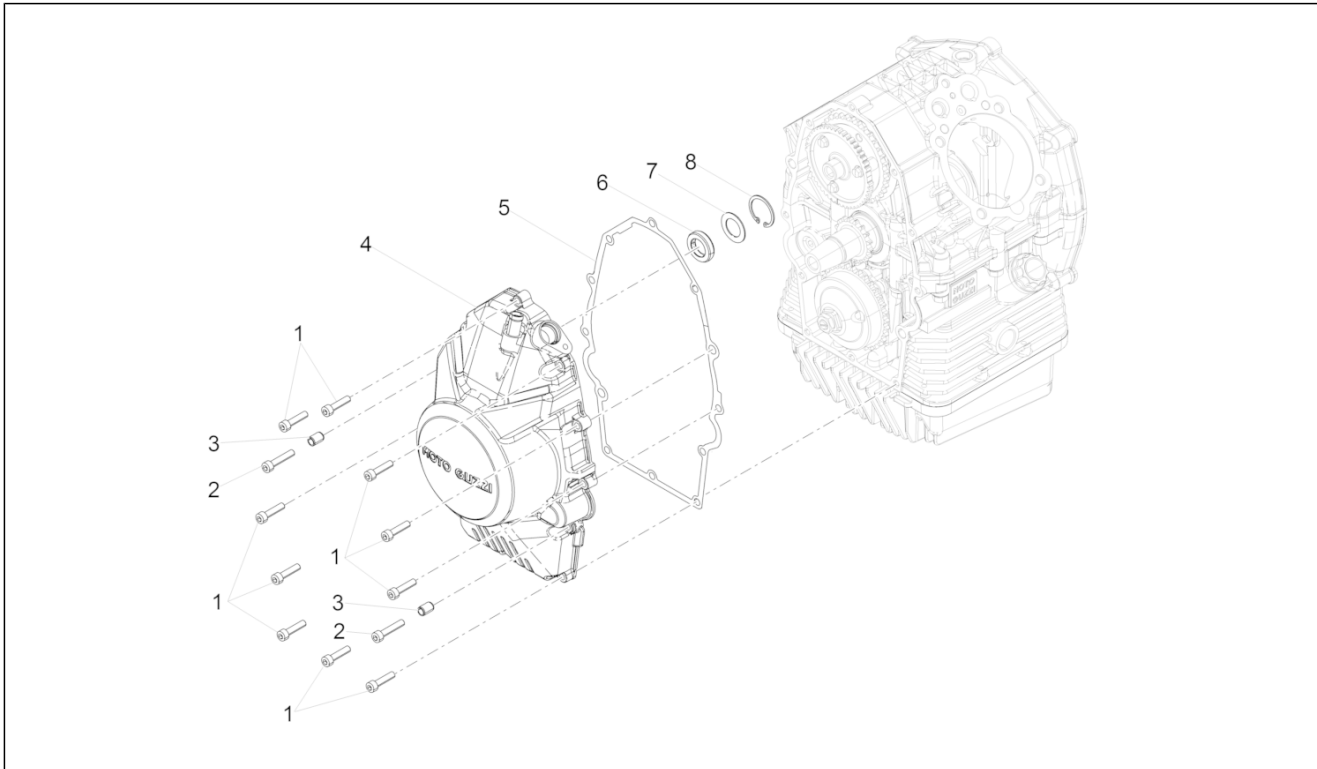
| Pos. | Code | Beschrijving | Aant. | Varianten |
|------|------------|--------------------------------------|-------|-----------|
| 1 | 2A000419 | Groep monoschijf koppelingsgroep cpl | 1 | |
| 2 | GU19067700 | Bout | 6 | |
| 3 | GU14615901 | Sluitring 8,4X13X0,8 | 6 | |
| 4 | 2A000724 | Getand kroonwiel start | 1 | |
| 5 | GU14217901 | Gekart. sluitring 6,4x10x0,7 | 6 | |
| 6 | 2A000774 | | 6 | |
| 7 | 2A000790 | Koppelingsas Z=18 | 1 | |
| 8 | 2A000216 | Commandostaaf | 1 | |
| 9 | GU92201226 | Kogellager 25x52x15 | 1 | |
| 10 | GU90706235 | O-ring 23,52x1,78 | 1 | |
| 11 | 886629 | Dichtingsring | 1 | |
| 12 | 1A008627 | Afstandhouder | 2 | |
| 13 | GU19356760 | Veiligheidsmoer | 1 | |
| 14 | 2A000375 | Kogellager | 1 | |
| 15 | B013037 | Romp int.koppeling | 1 | |
| 16 | 2A000376 | Lager drukst. | 1 | |
| 17 | GU14086100 | Externe romnp | 1 | |
| 18 | 2A000384 | Pin hendel | 1 | |
| 19 | 2A000385 | O-ring 6.5x1.5 | 2 | |
| 20 | GU95500222 | Splitpen | 1 | |
| 21 | 2A000631 | Ontkoppelingshendel koppeling | 1 | |
| 22 | GU94321105 | Trekveer hendel | 1 | |
| 23 | 2A000838 | Registerbout | 1 | |
| 24 | GU92606508 | Moer | 1 | |
| 25 | GU14085900 | Huls | 2 | |
| 26 | GU05217630 | Beslagring | 1 | |
| 27 | GU90706170 | O-ring 17,13x2,62 | 1 | |
| 28 | 2A000770 | Schijf geleid | 1 | |

| | |
|---------------------|-----------|
| Groep | Motor |
| Code | 03.230 |
| Beschrijving | Koppeling |
| Revisie | 1 |



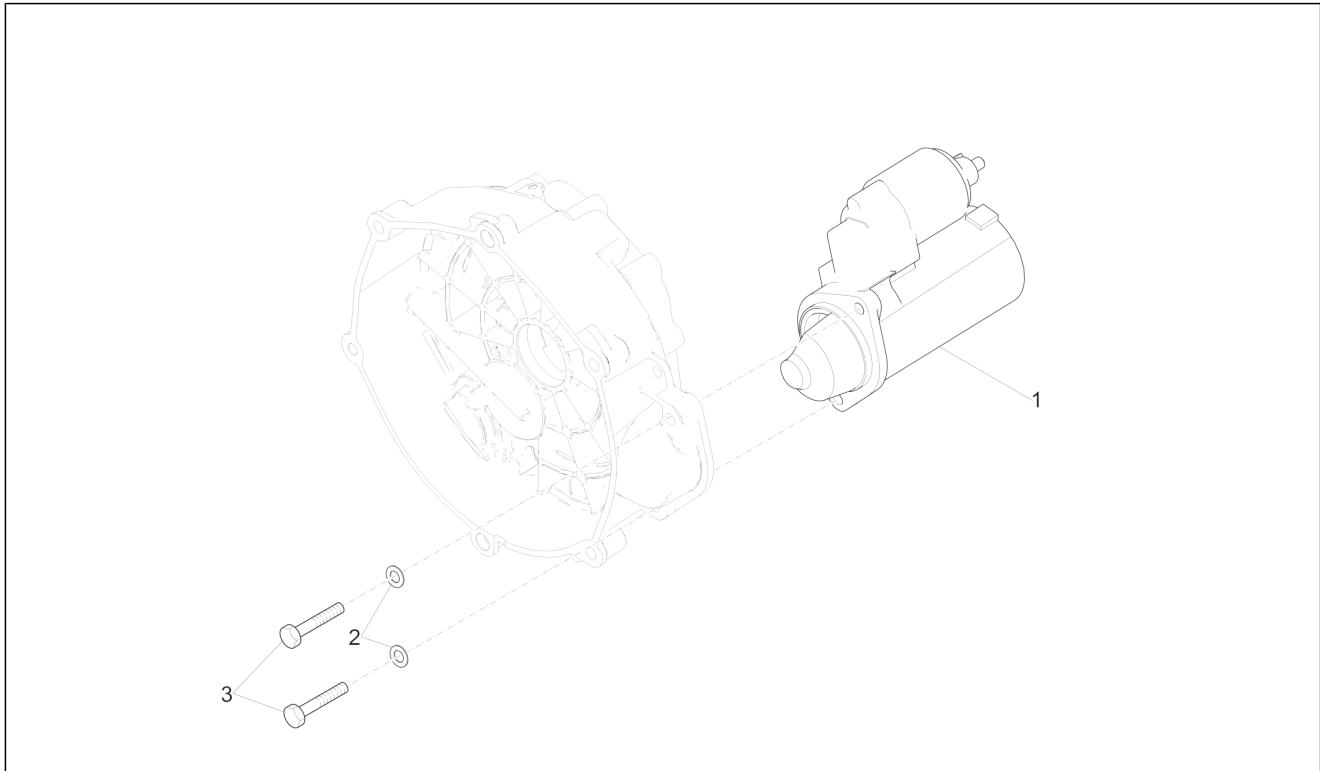
| Pos. | Code | Beschrijving | Aant. | Varianten |
|------|----------|-----------------------|-------|-----------|
| 29 | 2A000418 | Ring | 1 | |
| 30 | 2A000638 | Schijf veerblokkering | 1 | |
| 31 | 2A000741 | Versterking | 1 | |
| 32 | 2A000378 | Dichtingsring | 1 | |

| | |
|---------------------|-----------------|
| Groep | Motor |
| Code | 03.270 |
| Beschrijving | Vliegwieldeksel |
| Revisie | 1 |



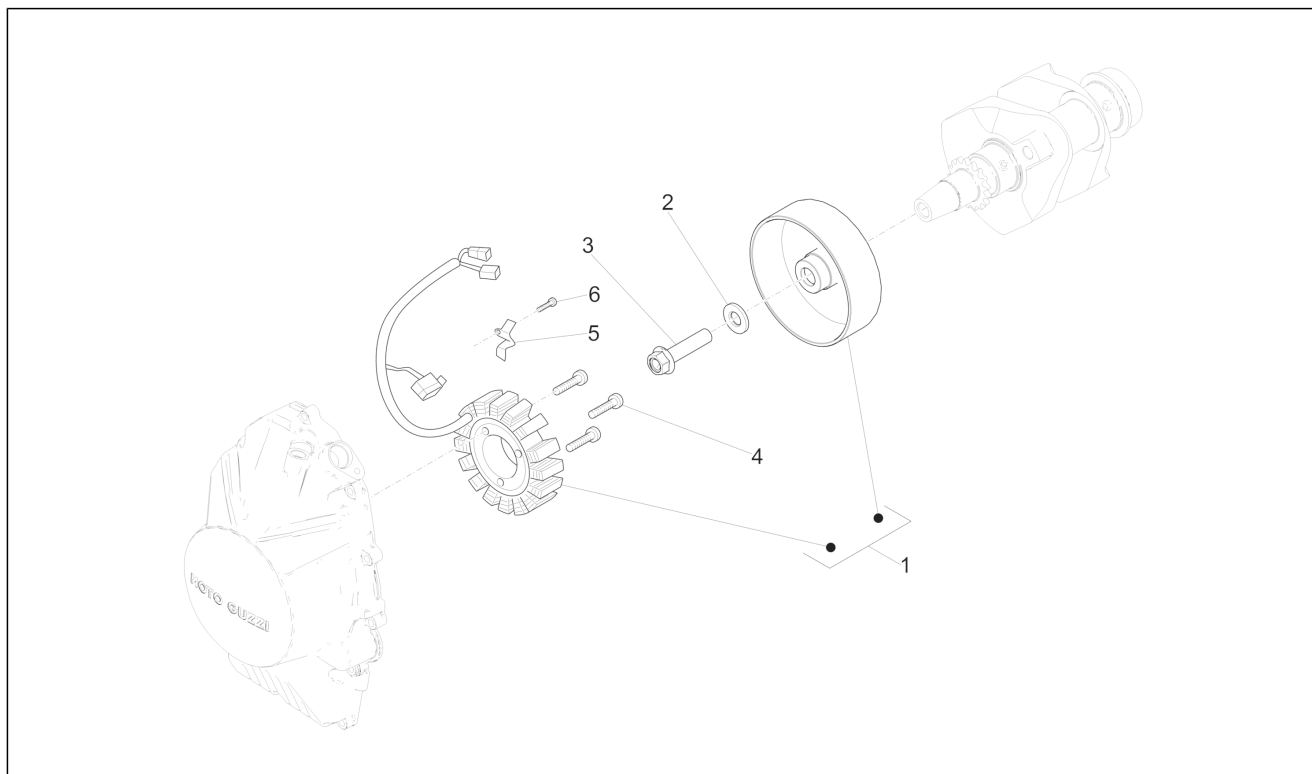
| Pos. | Code | Beschrijving | Aant. | Varianten |
|------|------------|-------------------------|-------|-----------|
| 1 | GU98682325 | Binnenzeskantbout M6x25 | 10 | |
| 2 | GU98682330 | Binnenzeskantbout M6x20 | 2 | |
| 3 | GU19002020 | Beslagring 6,6x9x13 | 2 | |
| 4 | 1A006298 | Bedekking generator | 1 | |
| 5 | 887003 | Pakking bedekking | 1 | |
| 6 | 898268 | Dichtingsring 18x30x7 | 1 | |
| 7 | 898269 | Steunende sluitring | 1 | |
| 8 | 006630 | Elastische ring | 1 | |

| | |
|---------------------|------------------------|
| Groep | Motor |
| Code | 03.290 |
| Beschrijving | Start / Electric start |
| Revisie | 1 |



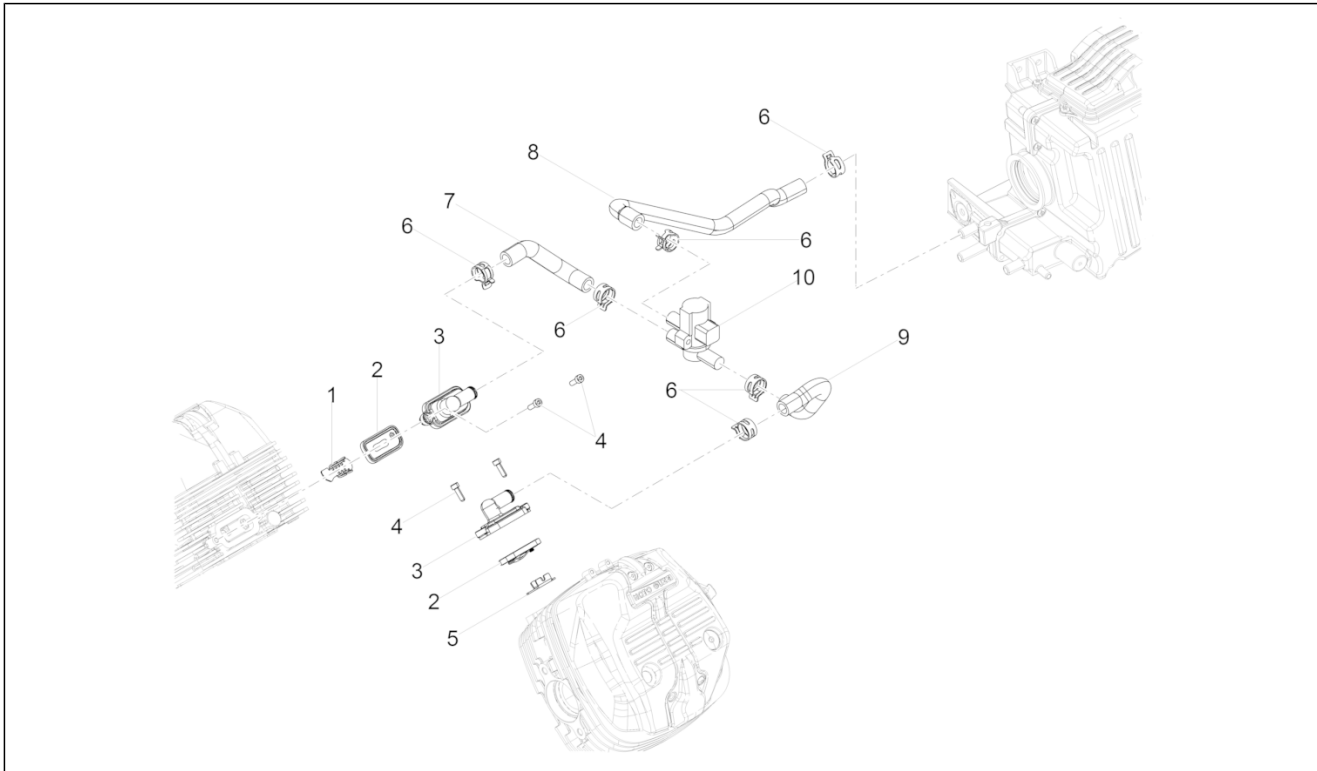
| Pos. | Code | Beschrijving | Aant. | Varianten |
|------|------------|----------------------|-------|-----------|
| 1 | 97729R | Startmotor | 1 | |
| 2 | GU95008208 | Sluitring 8,4X15X1,5 | 2 | |
| 3 | GU98682435 | Binnenzeskantbout | 2 | |

| | |
|---------------------|-------------------------------|
| Groep | Motor |
| Code | 03.300 |
| Beschrijving | Vliegwielmagneet / Ontsteking |
| Revisie | 1 |



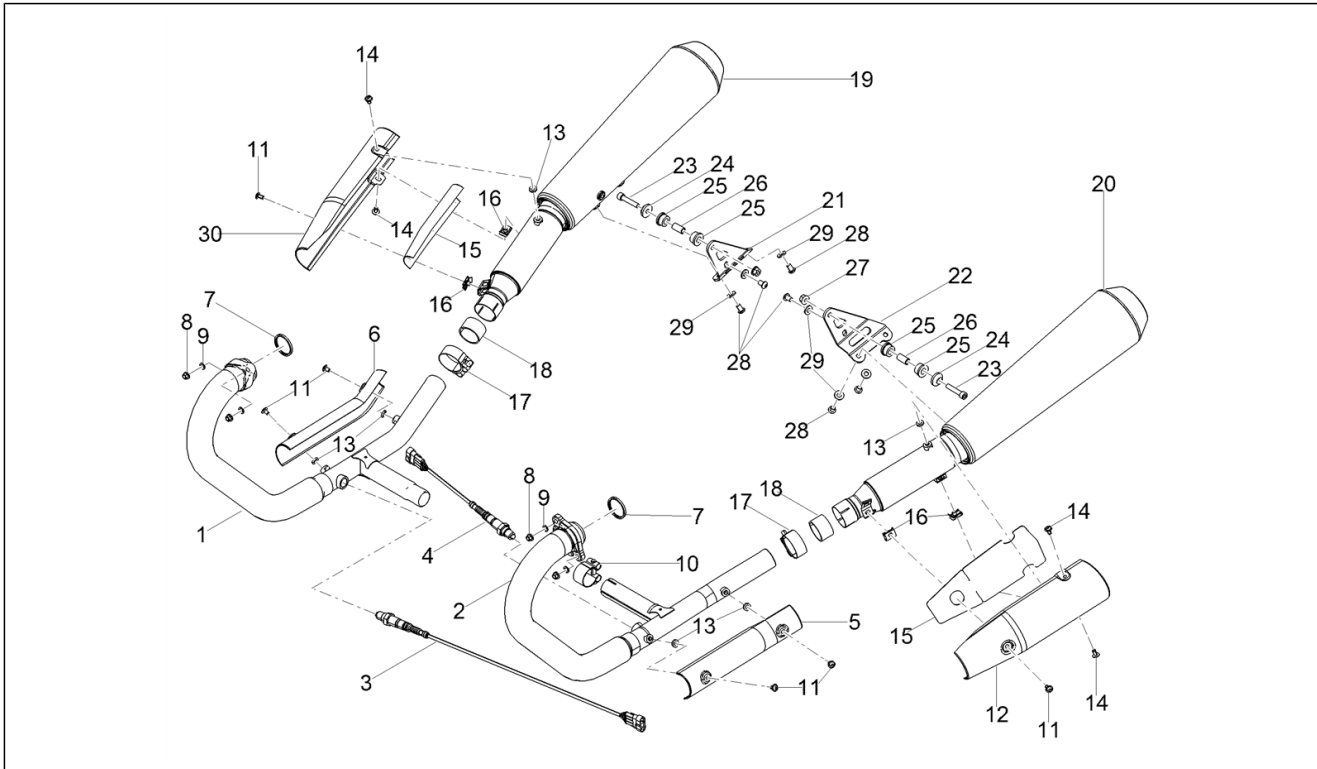
| Pos. | Code | Beschrijving | Aant. | Varianten |
|------|------------|----------------------------------|-------|-----------|
| 1 | 2D000024 | Vliegwielmagneet cpl. | 1 | |
| 2 | 897478 | Rondel 12x26.5x3 | 1 | |
| 3 | 857206 | Zeskantbout geflenst M12X1,25X50 | 1 | |
| 4 | 2A000129 | Binnenzeskantbout verlaagd M6x35 | 3 | |
| 5 | 2A000115 | Plaatje | 1 | |
| 6 | GU98682212 | Binnenzeskantbout M5x12 | 1 | |

| | |
|---------------------|------------------|
| Groep | Motor |
| Code | 03.320 |
| Beschrijving | Secundaire lucht |
| Revisie | 1 |



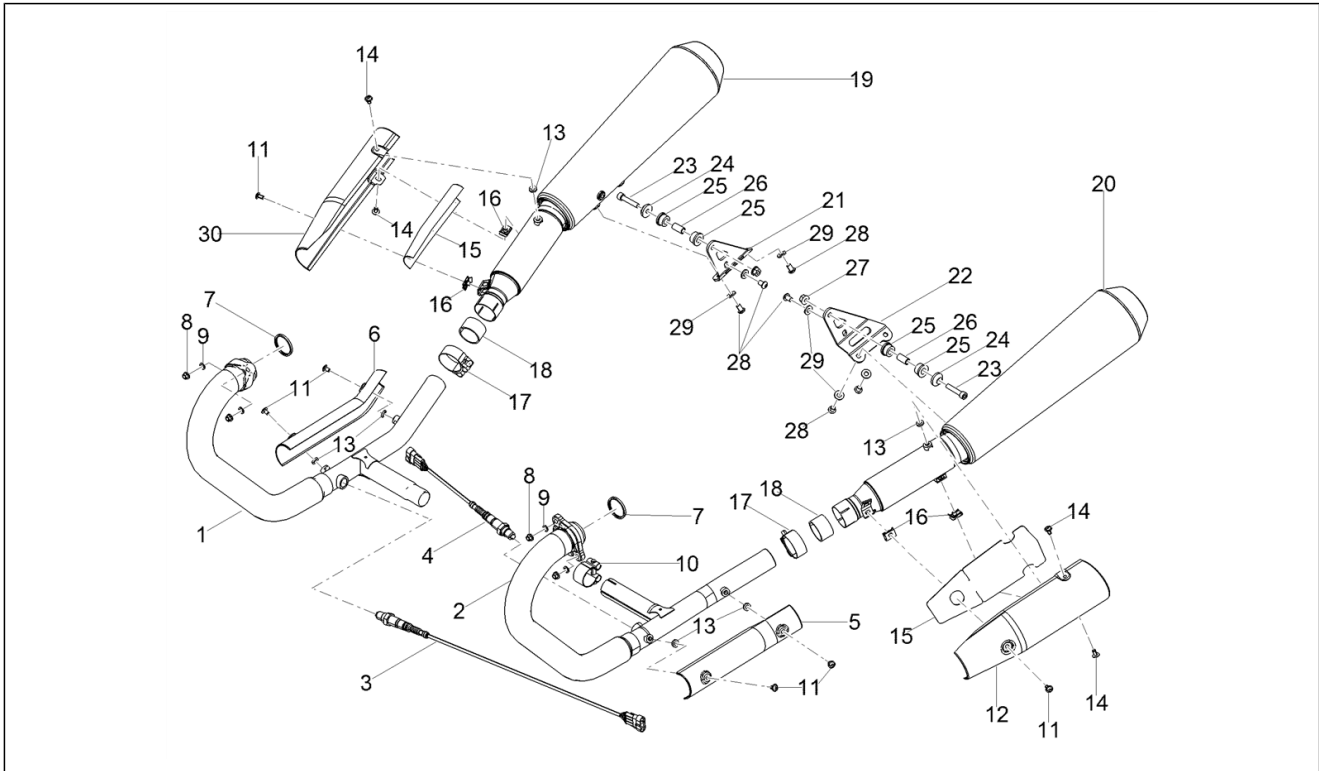
| Pos. | Code | Beschrijving | Aant. | Varianten |
|------|------------|-----------------------------|-------|-----------|
| 1 | 857047 | Vlambreker | 1 | |
| 2 | 857045 | Reed valve | 2 | |
| 3 | 2A000597 | Bedekking reed valve | 1 | |
| 4 | GU98612216 | Binnenzeskantbout | 2 | |
| 5 | 857046 | Vlambreker | 1 | |
| 6 | CM226902 | Klemring met veer 19/12 | 6 | |
| 7 | 2B002529 | Buis re "S.A.S." | 1 | |
| 8 | 2B002531 | Leiding filterhuis "S.A.S." | 1 | |
| 9 | 2B002530 | Buis li "S.A.S." | 1 | |
| 10 | 857181 | SAS klep | 1 | |

| | |
|---------------------|---------|
| Groep | Motor |
| Code | 03.330 |
| Beschrijving | Uitlaat |
| Revisie | 1 |



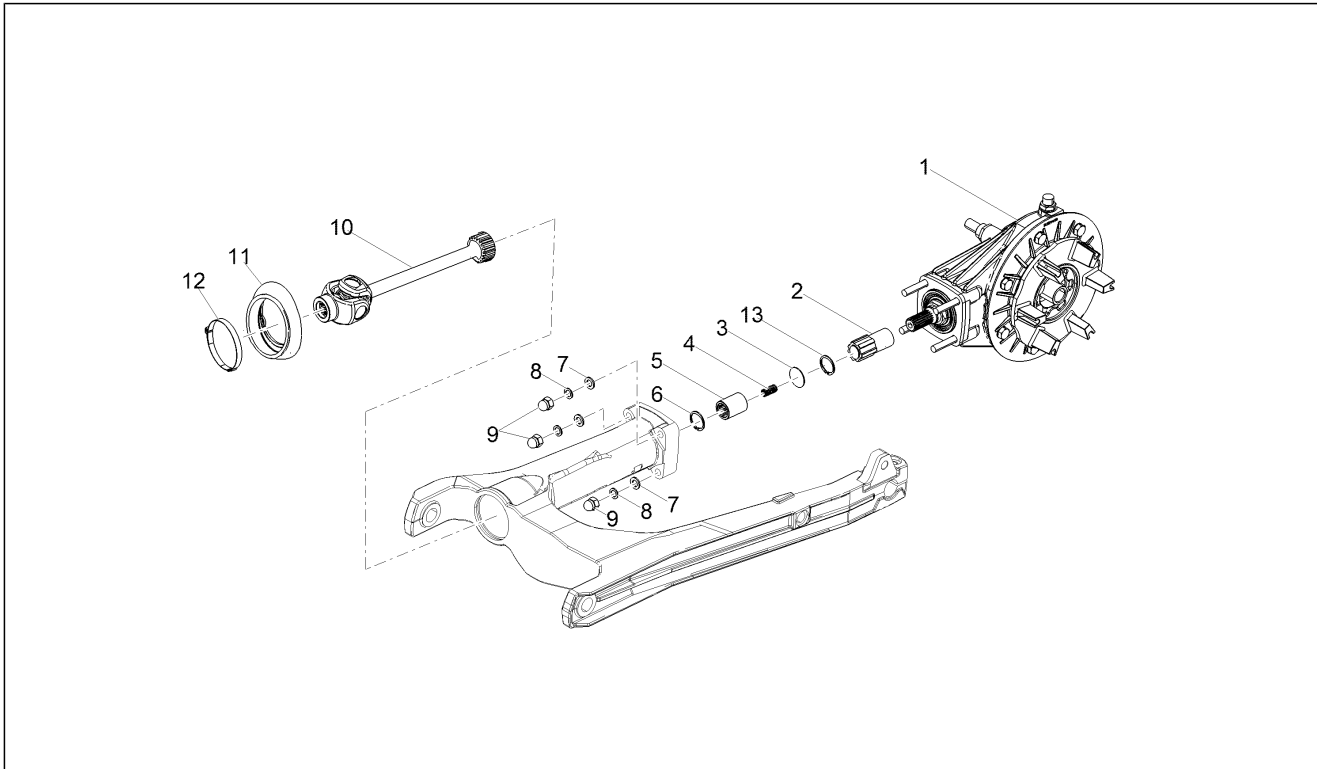
| Pos. | Code | Beschrijving | Aant. | Varianten |
|------|------------|---|-------|-----------|
| 1 | 2B003561 | Uitlaatspruitstuk re | 1 | |
| 2 | 2B003560 | Uitlaatspruitstuk li | 1 | |
| 3 | 896110 | Lambdasonde l.660 mm | 1 | |
| 4 | 584344 | Lambdasonde l. 325 mm | 1 | |
| 5 | 2B0035665 | Protezione collettore sx | 1 | |
| 6 | 2B0035675 | Protezione collettore dx | 1 | |
| 7 | 852090 | Pakking uitlaat | 2 | |
| 8 | GU92660021 | Moer geflenst M8 | 4 | |
| 9 | GU14615901 | Sluitring 8,4X13X0,8 | 4 | |
| 10 | B063292 | Klemring D.37 | 1 | |
| 11 | 2B000215 | Bolbout met binnenzeskant, geflenst M6x10 | 6 | |
| 12 | 2B0035685 | Protezione marmitta cromata sx | 1 | |
| 13 | 876879 | Spacer | 6 | |
| 14 | 884043 | Bolbout met binnenzeskant, geflenst M6x12 | 4 | |
| 15 | AP8120870 | Isolerende sluitring | 4 | |
| 15 | 2B003643 | Thermische bedekking | 2 | |
| 16 | 254485 | Spring plate M6 | 4 | |
| 17 | 840370 | Klemmetje | 2 | |
| 18 | GU91113826 | Beslagring | 2 | |
| 19 | 2B0035635 | Geluiddemper re | 1 | |
| 20 | 2B0035625 | Geluiddemper li | 1 | |
| 21 | 2B003152 | Steunbeugel geluiddemper re | 1 | |
| 22 | 2B003151 | Steunbeugel geluiddemper li | 1 | |
| 23 | GU98690440 | Bout M8x40 | 2 | |
| 24 | AP8134378 | Huls bevestiging geluiddemper | 2 | |
| 25 | AP8121072 | Afstandhouder | 2 | |
| 26 | AP8144071 | Rubbertje uitlaat | 4 | |
| 27 | 967363 | Moer M8x1,25 | 2 | |

| | |
|---------------------|---------|
| Groep | Motor |
| Code | 03.330 |
| Beschrijving | Uitlaat |
| Revisie | 1 |



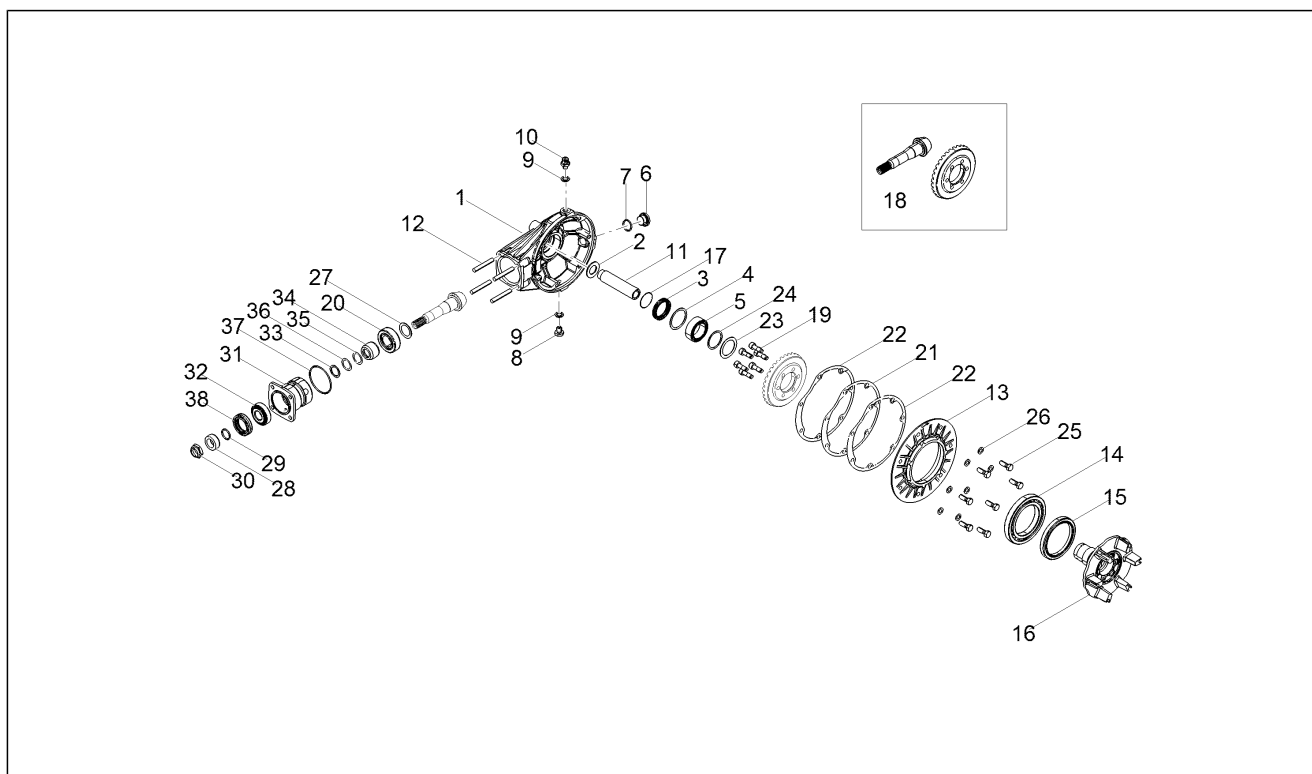
| Pos. | Code | Beschrijving | Aant. | Varianten |
|------|------------|---------------------------------|-------|-----------|
| 28 | AP8152055 | Bolbout met binnenzeskant M8x12 | 6 | |
| 29 | GU95008308 | Sluitring | 6 | |
| 30 | 2B0035695 | Protezione marmitta cromata dx | 1 | |

| | |
|---------------------|-------------------|
| Groep | Motor |
| Code | 03.340 |
| Beschrijving | Transmissie acht. |
| Revisie | 1 |



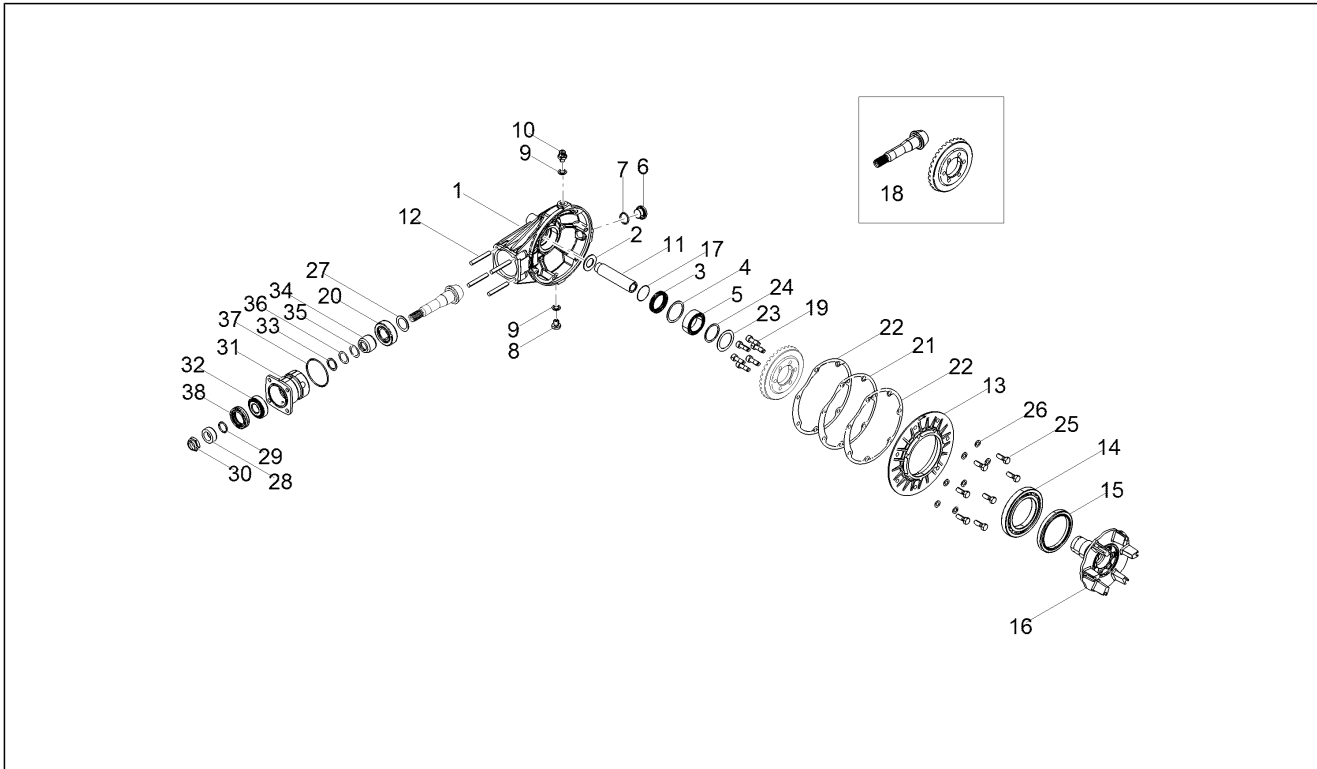
| Pos. | Code | Beschrijving | Aant. | Varianten |
|------|------------|-------------------------|-------|-----------|
| 1 | 2B0034845 | Transmissiedoos cpl. | 1 | |
| 2 | GU31327783 | Mof | 1 | |
| 3 | GU19327601 | Schijf | 1 | |
| 4 | GU94321099 | Veer | 1 | |
| 5 | GU19328801 | Mof | 1 | |
| 6 | GU23548180 | Veer | 1 | |
| 7 | GU95005308 | Sluitring 8,4x14,57x1,6 | 4 | |
| 8 | GU14615901 | Sluitring 8,4X13X0,8 | 4 | |
| 9 | 860651 | Moer blind M8x1,25 | 4 | |
| 10 | GU23328081 | Cardankoppeling | 1 | |
| 11 | GU23548080 | Besch.band | 1 | |
| 12 | AP8120246 | Klemmetje D=60-80 | 1 | |
| 13 | GU90272023 | Seegerring | 1 | |

| | |
|---------------------|---------------------------------|
| Groep | Motor |
| Code | 03.350 |
| Beschrijving | Achter transmissie / Components |
| Revisie | 1 |



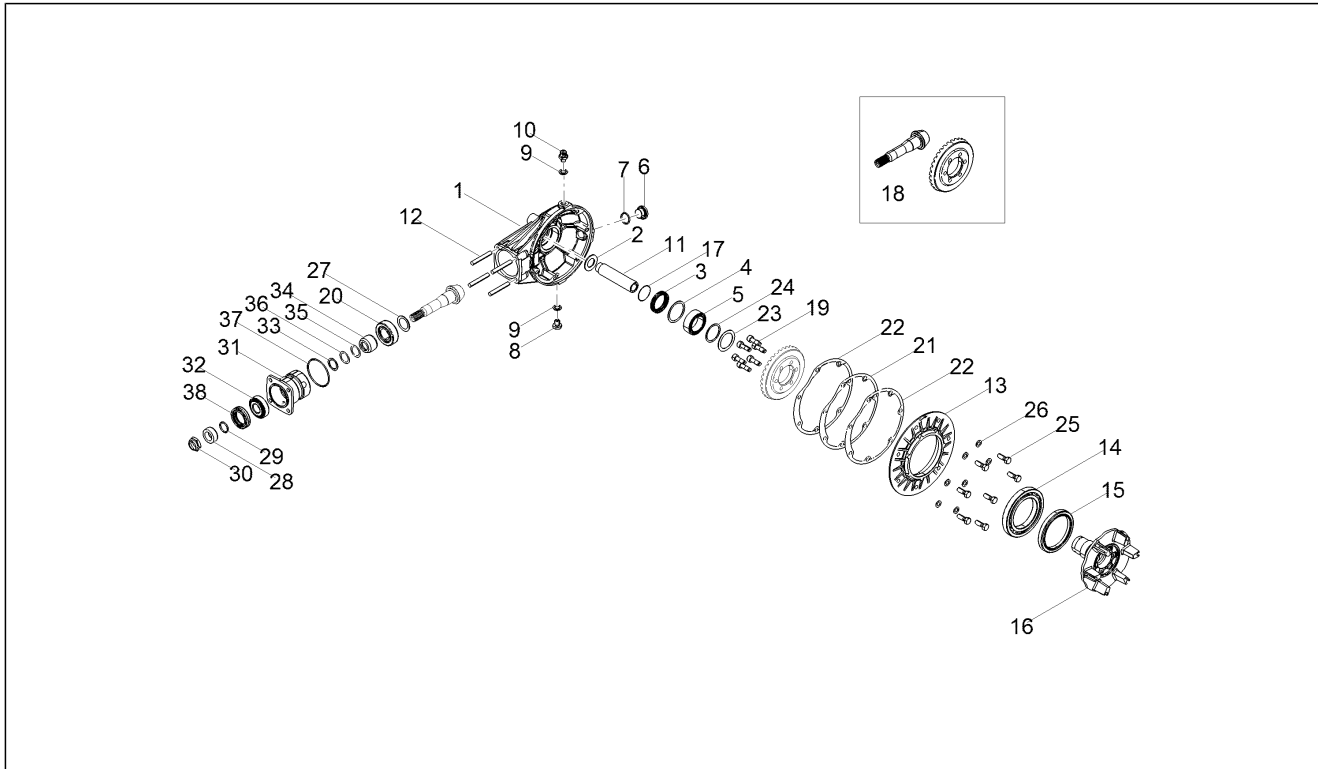
| Pos. | Code | Beschrijving | Aant. | Varianten |
|------|------------|--------------------------|-------|-----------|
| 1 | 976608 | Doos transm. zwart | 1 | |
| 2 | GU19351900 | Steunende sluitring | 1 | |
| 3 | GU90403549 | Dichtingsring 35x47x7 | 1 | |
| 4 | GU19351100 | Steunende sluitring | 1 | |
| 5 | GU92252235 | Rollager 35x50x17 | 1 | |
| 6 | GU12022600 | Oliedop | 1 | |
| 7 | GU90706203 | OR-ring 20,24X2,62 | 1 | |
| 8 | GU31003766 | Afvoerdop olie M10x1 | 1 | |
| 9 | GU01528930 | Pakking 10x18x1,5 | 2 | |
| 10 | 2A000823 | Dop ontluchting | 1 | |
| 11 | GU32633560 | Afstandhouder | 1 | |
| 12 | GU96508055 | Stiftbout | 4 | |
| 13 | GU32350410 | Bedekking | 1 | |
| 14 | GU92201070 | Kogellager 70x110x13 | 1 | |
| 15 | GU90407591 | Dichtingsring 75x95x10 | 1 | |
| 16 | 2B0034855 | Naaf schokbeschermer | 1 | |
| 17 | GU90353030 | Blokkeerring | 1 | |
| 18 | GU32354610 | Conisch koppel 8/33 | 1 | |
| 19 | GU03067730 | Bout M8x25 | 6 | |
| 20 | GU92249227 | Conische kogellager 25x5 | 1 | |
| 21 | GU19355411 | Dikte 1,4 mm | 1 | |
| 21 | GU19355410 | Dikte 1,3 mm | 1 | |
| 21 | 2B002318 | Dikte 0,2 mm | 1 | |
| 21 | 2B002425 | Dikte 0,6 mm | 1 | |
| 21 | 2B002424 | Dikte 0,5 mm | 1 | |
| 21 | GU19355408 | Dikte 1,2 mm | 1 | |
| 21 | GU19355404 | Dikte 1 mm | 1 | |
| 21 | 2B002319 | Dikte 0,3 mm | 1 | |

| | |
|---------------------|---------------------------------|
| Groep | Motor |
| Code | 03.350 |
| Beschrijving | Achter transmissie / Components |
| Revisie | 1 |



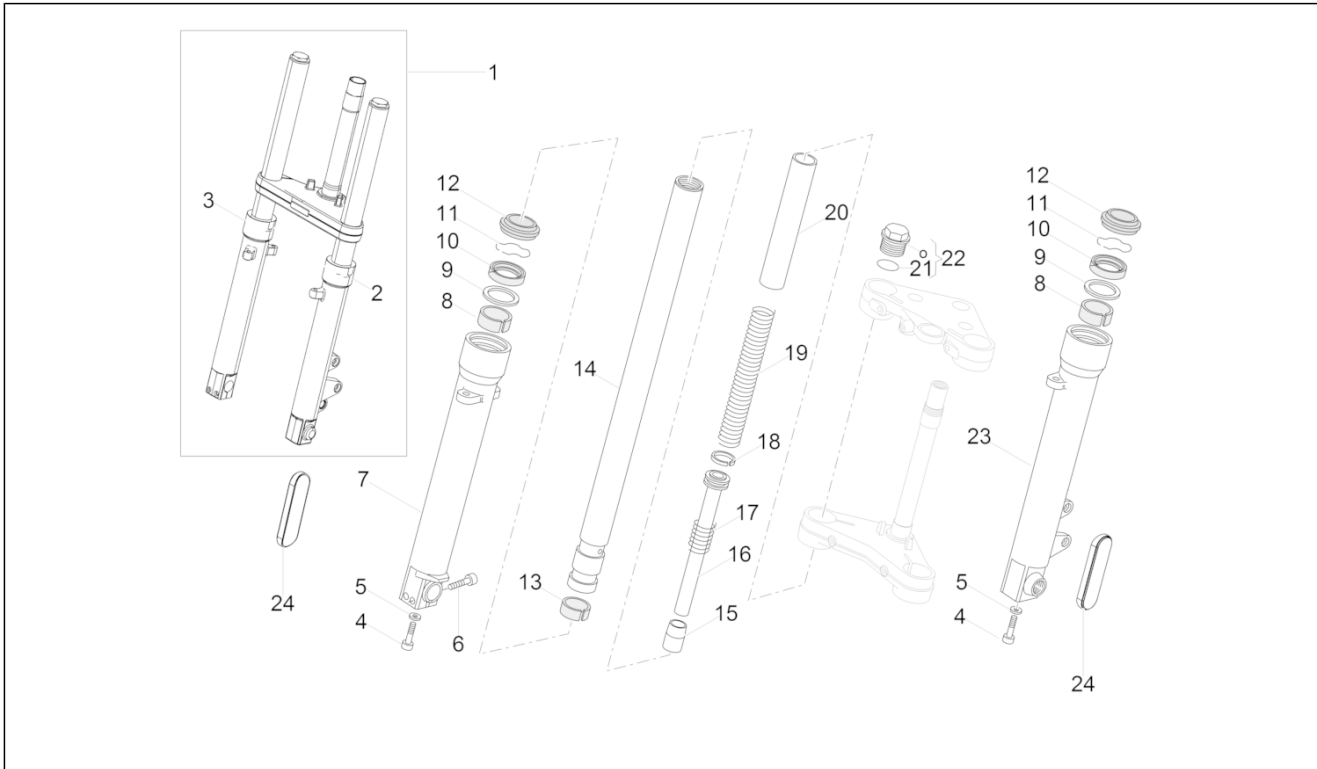
| Pos. | Code | Beschrijving | Aant. | Varianten |
|------|------------|-------------------------------|-------|-----------|
| 21 | GU19355400 | Dikte 0,8 mm | 1 | |
| 21 | GU19355412 | Dikte 1,5 mm | 1 | |
| 21 | 2B002426 | Dikte 0,7 mm | 1 | |
| 21 | GU19355413 | Dikte 1,6 mm | 1 | |
| 21 | GU19355402 | Dikte 0,9 mm | 1 | |
| 21 | GU19355406 | Dikte 1,1 mm | 1 | |
| 21 | 2B002320 | Dikte 0,4 mm | 1 | |
| 22 | 2A000382 | Pakking | 2 | |
| 23 | GU19352300 | Schraapring | 1 | |
| 24 | GU19353500 | Schraapring | 1 | |
| 25 | 2B004014 | ***SCREW (CYLINDER HEAD) | 7 | |
| 26 | GU61270300 | Elastische sluitring 8x15x0,3 | 7 | |
| 27 | GU19355325 | Dikte 1,5 mm | 1 | |
| 27 | GU19355329 | Dikte 1,9 mm | 1 | |
| 27 | GU19355326 | Dikte 1,6 mm | 1 | |
| 27 | GU19355321 | Dikte 1,1 mm | 1 | |
| 27 | GU19355324 | Dikte 1,4 mm | 1 | |
| 27 | GU19355323 | Dikte 1,3 mm | 1 | |
| 27 | GU19355320 | Dikte 1 mm | 1 | |
| 27 | GU19355322 | Dikte 1,2 mm | 1 | |
| 27 | GU19355328 | Dikte 1,8 mm | 1 | |
| 27 | GU19355327 | Dikte 1,7 mm | 1 | |
| 28 | 2B003486 | Afstandhouder | 1 | |
| 29 | GU90706188 | Dichtingsring 18,77X1,78 | 1 | |
| 30 | GU19356700 | Moer | 1 | |
| 31 | GU20352421 | Cover | 1 | |
| 32 | GU92249220 | Rollager 20x47x14 | 1 | |
| 33 | GU19355303 | Dikte 1,3 mm | 1 | |

| | |
|---------------------|---------------------------------|
| Groep | Motor |
| Code | 03.350 |
| Beschrijving | Achter transmissie / Components |
| Revisie | 1 |



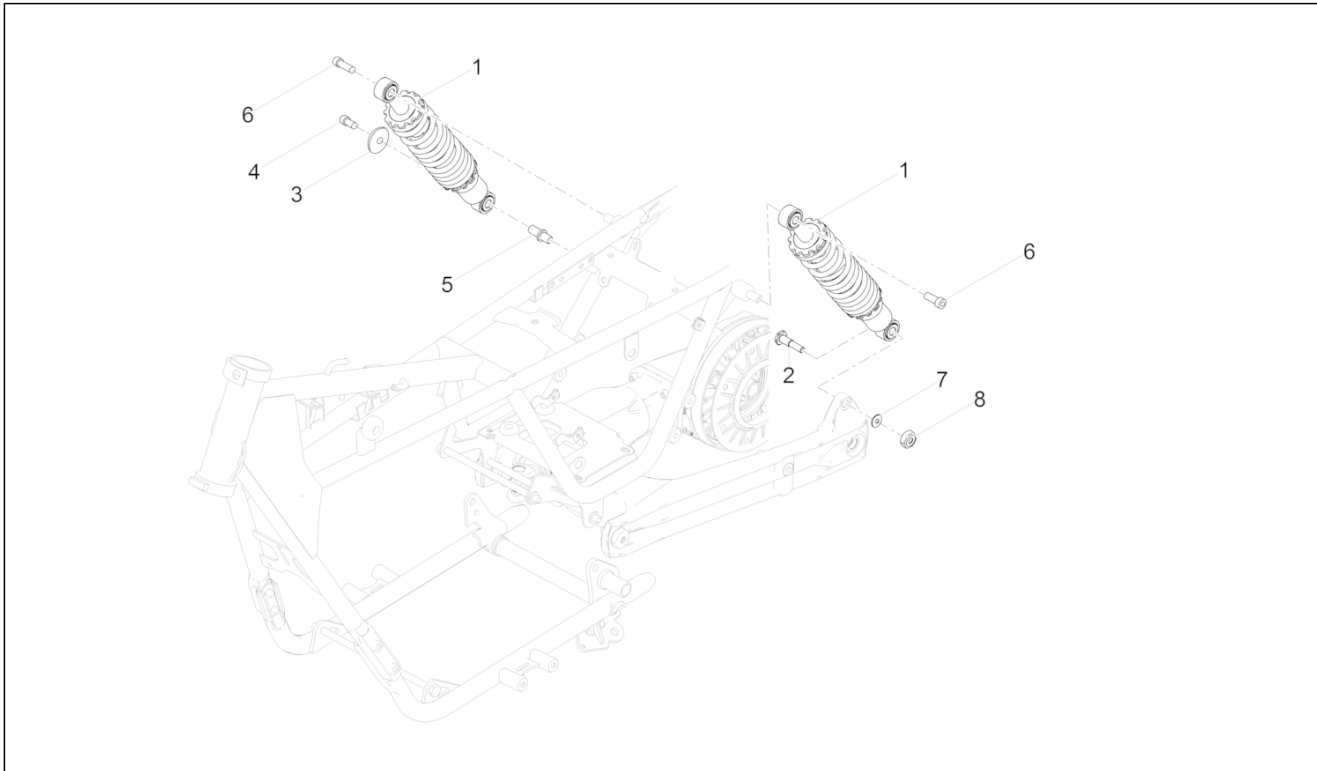
| Pos. | Code | Beschrijving | Aant. | Varianten |
|------|------------|--------------------------|-------|-----------|
| 33 | GU19355304 | Dikte 1,4 mm | 1 | |
| 33 | GU19355309 | Dikte 1,9 mm | 1 | |
| 33 | GU19355307 | Dikte 1,7 mm | 1 | |
| 33 | GU19355306 | Dikte 1,6 mm | 1 | |
| 33 | GU19355302 | Dikte 1,2 mm | 1 | |
| 33 | GU19355305 | Dikte 1,5 mm | 1 | |
| 33 | GU19355308 | Dikte 1,8 mm | 1 | |
| 33 | GU19355301 | Dikte 1,1 mm | 1 | |
| 33 | GU19355300 | Dikte 1 mm | 1 | |
| 34 | GU20355121 | Afstandhouder | 1 | |
| 35 | GU19355200 | Sluitring regel. 0,1 mm | 1 | |
| 36 | GU19355202 | Sluitring regel. 0,15 mm | 1 | |
| 37 | GU90706584 | Pakking 58,42x2,62 | 1 | |
| 38 | GU90403251 | Dichtingsring 32x47x10 | 1 | |

| | |
|---------------------|----------------|
| Groep | Suspensions |
| Code | 04.060 |
| Beschrijving | Voorvork Kaifa |
| Revisie | 1 |



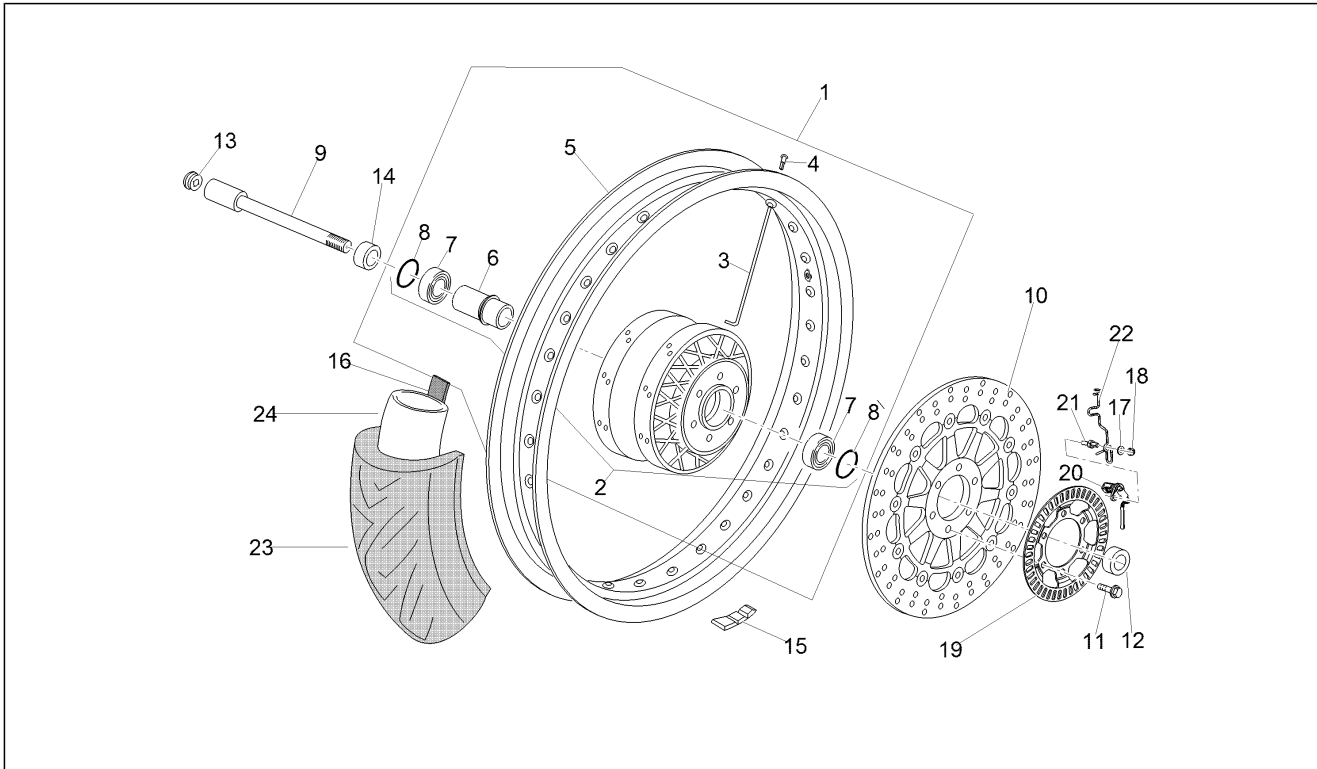
| Pos. | Code | Beschrijving | Aant. | Varianten |
|------|------------|---------------------|-------|-----------|
| 1 | 2B003424 | Voorvork | 1 | |
| 2 | 2B003952 | Stang met hulsel li | 1 | |
| 3 | 2B003948 | Stang met hulsel re | 1 | |
| 4 | 887878 | Bout M10x30 | 2 | |
| 5 | 887879 | Sluitring | 2 | |
| 6 | 887880 | Bout | 2 | |
| 7 | 2R000109 | Hulsel re | 1 | |
| 8 | 887882 | Huls bov. | 2 | |
| 9 | 887883 | Sluitring | 2 | |
| 10 | 887884 | Dichtingsring | 2 | |
| 11 | 887885 | Blokkeerring | 2 | |
| 12 | 887886 | Stofkeerring | 2 | |
| 13 | 887888 | Huls | 2 | |
| 14 | 2B001591 | Stang | 2 | |
| 15 | 887889 | Buffer | 2 | |
| 16 | 887891 | Pompend deel cpl. | 2 | |
| 17 | 887890 | Tegenveer | 2 | |
| 18 | 887905 | Segment | 2 | |
| 19 | 2R000243 | Veer | 2 | |
| 20 | 887893 | Buis | 2 | |
| 21 | 887916 | OR-ring 4118 | 2 | |
| 22 | 887894 | Dop cpl. | 2 | |
| 23 | 2R000110 | Hulsel li | 1 | |
| 24 | GU05781630 | Reflector amber | 2 | |

| | |
|---------------------|-------------|
| Groep | Suspensions |
| Code | 04.080 |
| Beschrijving | Schokdemper |
| Revisie | 1 |



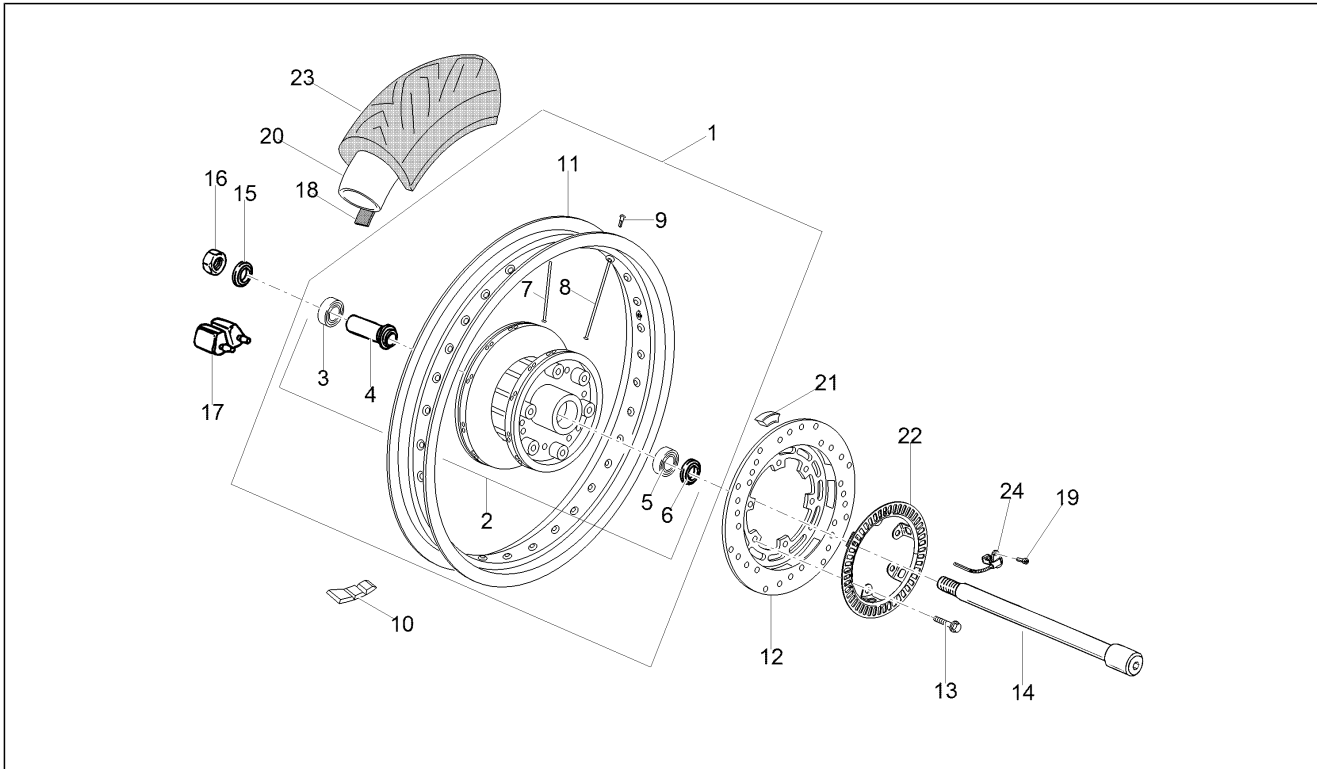
| Pos. | Code | Beschrijving | Aant. | Varianten |
|------|------------|---|-------|-----------|
| 1 | 2B002989 | Schokdemper acht. | 2 | |
| 2 | GU32555211 | Pin | 1 | |
| 3 | B063174 | Huls | 1 | |
| 4 | 2B002194 | Pre-geïmpregneerde binnenzeskantbout IX M6X18 | 1 | |
| 5 | GU32555210 | Pin | 1 | |
| 6 | 2B002195 | Pre-geïmpregneerde binnenzeskantbout IX M6X35 | 2 | |
| 7 | GU95129181 | Sluitring gegolfd | 1 | |
| 8 | GU92630510 | Moer M10x1,5 | 1 | |

| | |
|---------------------|----------|
| Groep | Wielen |
| Code | 05.010 |
| Beschrijving | Voorwiel |
| Revisie | 1 |



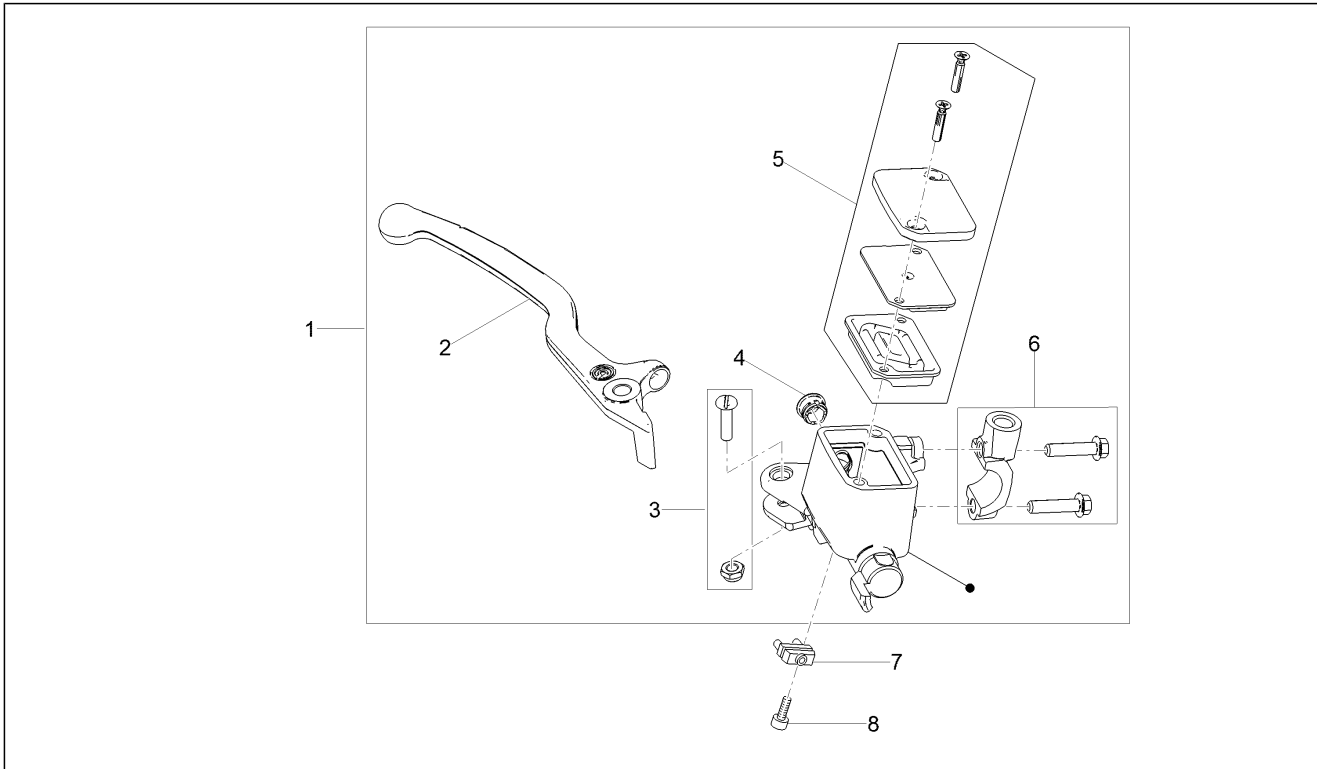
| Pos. | Code | Beschrijving | Aant. | Varianten |
|------|------------|-----------------------------|-------|-----------|
| 1 | 887859 | Voorwiel cpl. 2,5x18" | 1 | |
| 2 | GU32613160 | Voornaaf | 1 | |
| 3 | B063144 | Spaak voorwiel | 36 | |
| 4 | GU03631250 | Nippels | 36 | |
| 5 | 887858 | Voorvelg 2,5x18" | 1 | |
| 6 | GU31615283 | Afstandhouder lagere | 1 | |
| 7 | GU92204221 | Lager | 2 | |
| 8 | GU90402642 | Dichtingsring | 1 | |
| 9 | GU31614183 | Pin voorwiel | 1 | |
| 10 | 883688 | Remschijf voor 320 | 1 | |
| 11 | 887762 | Geflenste zeskantbout M8x22 | 6 | |
| 12 | GU31616384 | Afstandhouder li | 1 | |
| 13 | GU93180111 | Dop 15 mm | 1 | |
| 14 | GU32615660 | Afstandhouder re | 1 | |
| 15 | GU14616150 | Tegengewicht | 1 | |
| 16 | GU03612040 | Klemring nippelbescherming | 1 | |
| 17 | AP8150178 | Sluitring 6,4x12,5* | 1 | |
| 18 | GU92630207 | Moer | 1 | |
| 19 | 887875 | Geluidswiel | 1 | |
| 20 | 859792 | Sensor ABS | 1 | |
| 21 | 2B001708 | Afstandhouder | 1 | |
| 22 | 2B001561 | Kabelwartel | 1 | |
| 23 | 886679 | Band 100/90-18" | 1 | |
| 24 | GU31610160 | Binnenband MB 18 | 1 | |

| | |
|---------------------|------------|
| Groep | Wielen |
| Code | 05.020 |
| Beschrijving | Achterwiel |
| Revisie | 1 |



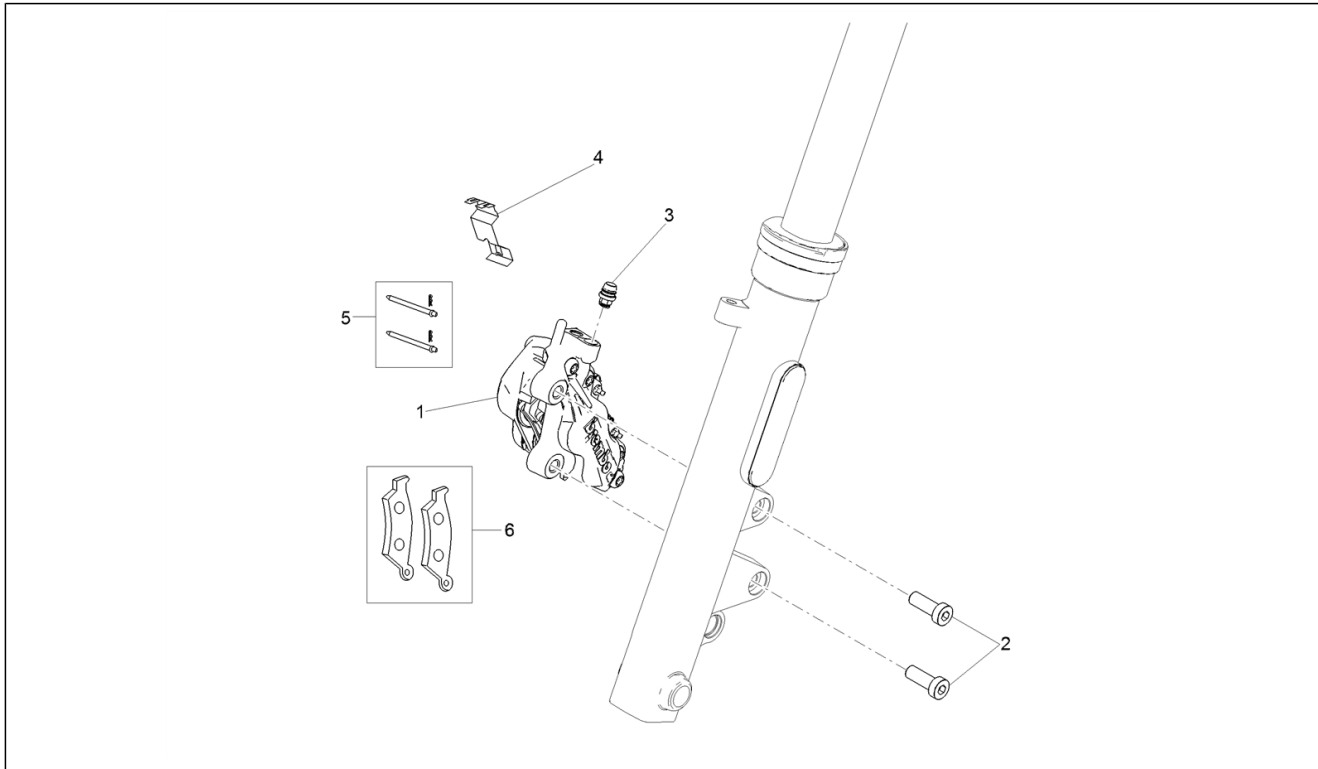
| Pos. | Code | Beschrijving | Aant. | Varianten |
|------|------------|-----------------------------------|-------|-----------|
| 1 | 887861 | Achterwiel cpl. 3,5X17" | 1 | |
| 2 | GU32692260 | Naaf | 1 | |
| 3 | GU92204218 | Lager | 1 | |
| 4 | GU27633910 | Afstandhouder | 1 | |
| 5 | GU92204217 | Lager | 1 | |
| 6 | GU90402538 | Dichtingsring 25x40x7 | 1 | |
| 7 | 883350 | Spaak kort | 18 | |
| 8 | 883349 | Spaak lang mm 158 | 18 | |
| 9 | GU03631250 | Nippels | 36 | |
| 10 | GU14616150 | Tegengewicht | 1 | |
| 11 | 887862 | Velg van het achterwiel 3,5X17" | 1 | |
| 12 | 887448 | Remschijf | 1 | |
| 13 | 887762 | Geflenste zeskantbout M8x22 | 6 | |
| 14 | GU32633360 | Pin achterwiel | 1 | |
| 15 | GU31634481 | Sluitring | 1 | |
| 16 | GU92606316 | Moer M16x1,5 | 1 | |
| 17 | GU32632510 | Element schokbesch. | 6 | |
| 18 | GU28612033 | Klemring nippelbescherming | 1 | |
| 19 | 1C001499 | Binnenzeskantbout TORX M5x16 INOX | 1 | |
| 20 | GU30630430 | Binnenband MD 17 | 1 | |
| 21 | GU32636160 | Rubber | 1 | |
| 22 | 2B000225 | Geluidswiel | 1 | |
| 23 | 886680 | Band 130/80-17" | 1 | |
| 24 | 859792 | Sensor ABS | 1 | |

| | |
|---------------------|----------------|
| Groep | Reminstallatie |
| Code | 06.010 |
| Beschrijving | Pomp voorrem |
| Revisie | 1 |



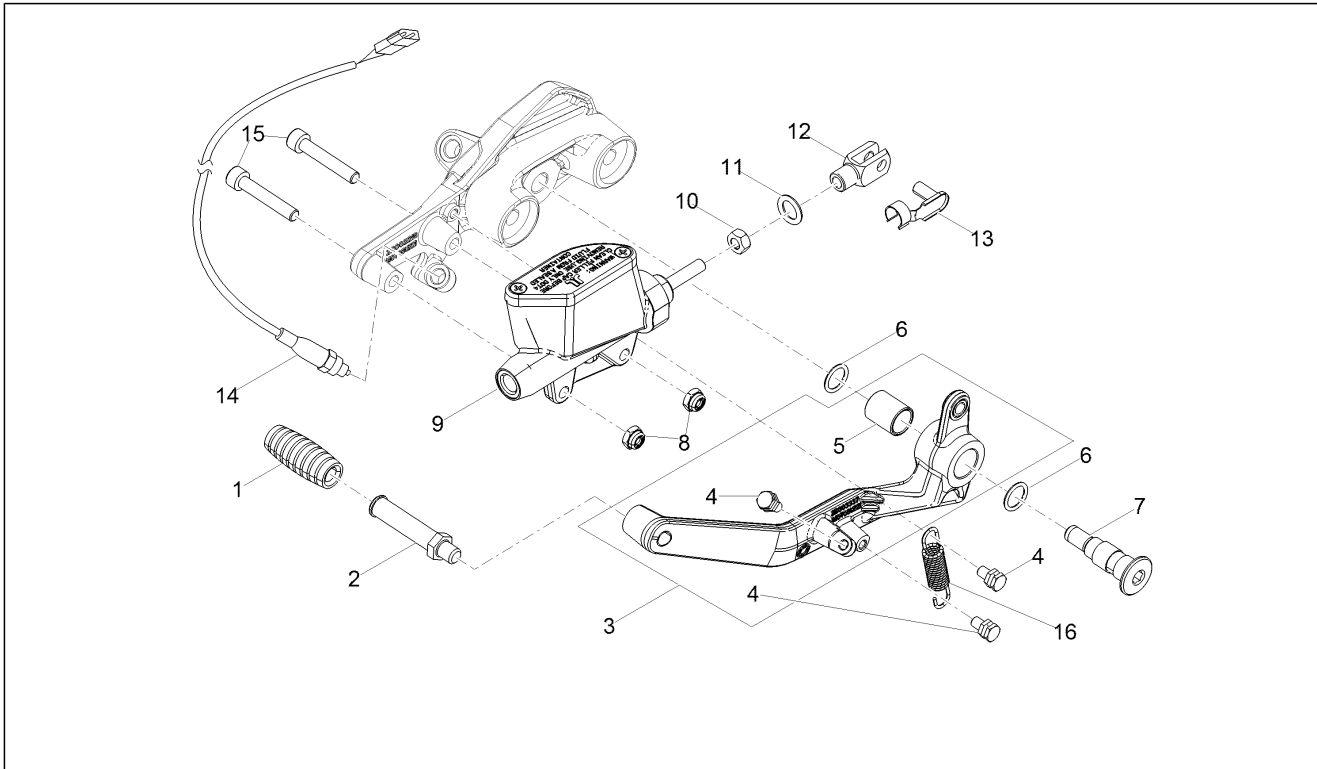
| Pos. | Code | Beschrijving | Aant. | Varianten |
|------|------------|--|-------|-----------|
| 1 | 2B003543 | Pomp voorrem | 1 | |
| 2 | 2B003821 | Remhendel | 1 | |
| 3 | 2B003040 | Reserveonderdeel pen hendel cpl. met moer | 1 | |
| 4 | 2B001930 | Reserveonderdeel kijkglas voorrempomp | 1 | |
| 5 | 2B003039 | Reserveonderdeel dop cpl. met membraan en bouten | 1 | |
| 6 | 2B003822 | Beugel | 1 | |
| 7 | GU03749845 | Stopschakelaar | 1 | |
| 8 | AP8152043 | Binnenzeskantbout M4x10 | 1 | |

| | |
|---------------------|---------------------|
| Groep | Reminstallatie |
| Code | 06.020 |
| Beschrijving | Tang van de voorrem |
| Revisie | 1 |



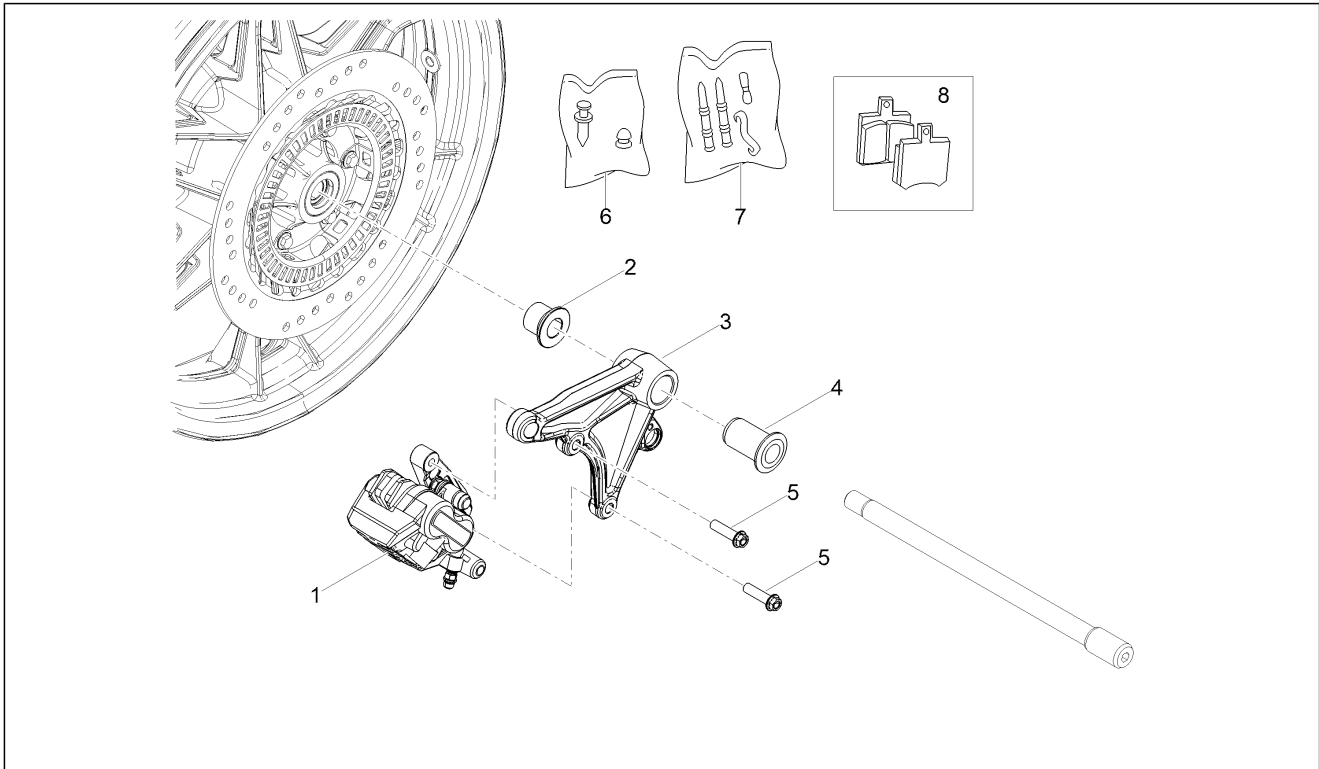
| Pos. | Code | Beschrijving | Aant. | Varianten |
|------|------------|-------------------------------|-------|-----------|
| 1 | 2B001197 | Front disk brake caliper l.h. | 1 | |
| 2 | AP8152385 | Binnenzeskantbout M10x1,25 | 2 | |
| 3 | GU05659230 | Ontluchting+kapje | 1 | |
| 4 | GU01659131 | Veer | 1 | |
| 5 | GU01659130 | Pinnen+Veren tang | 1 | |
| 6 | 883673 | Pastilles - koppel | 1 | |

| | |
|---------------------|-----------------------|
| Groep | Reminstallatie |
| Code | 06.030 |
| Beschrijving | Pomp van de achterrem |
| Revisie | 1 |



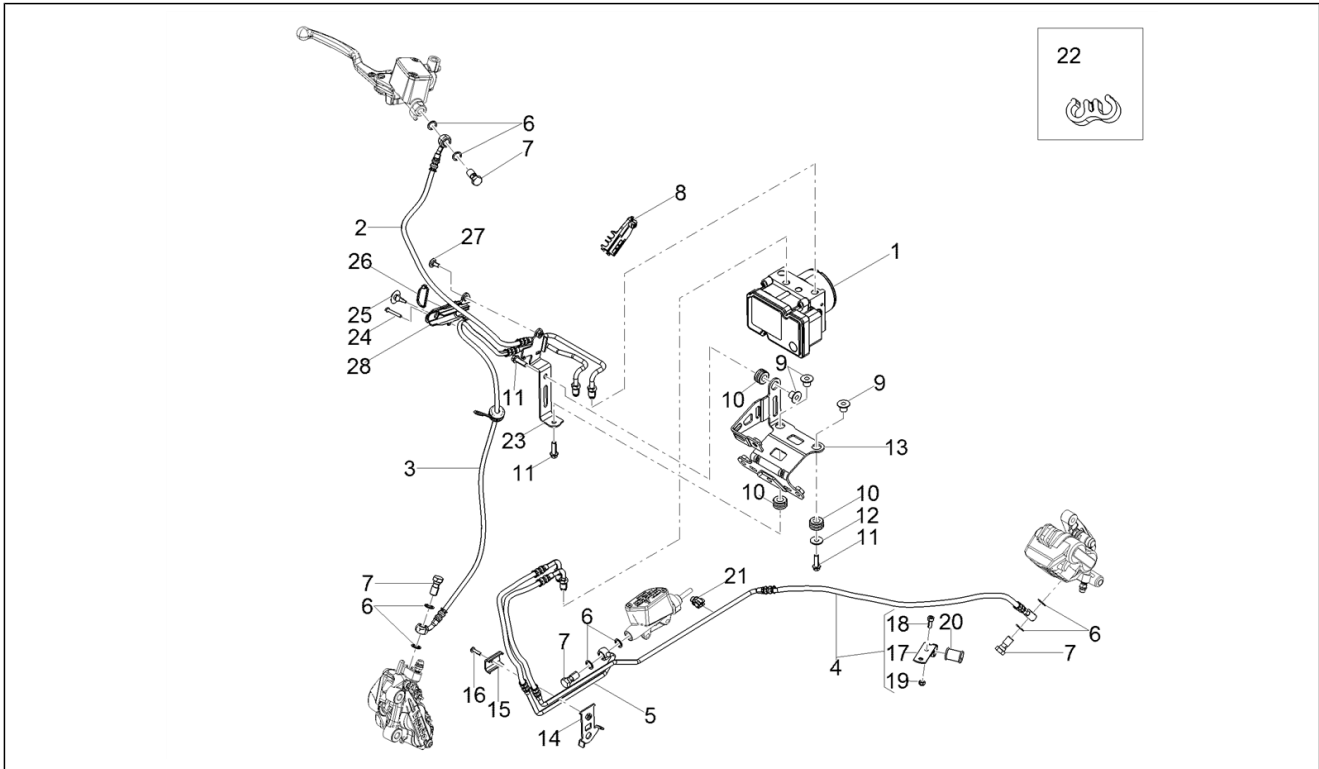
| Pos. | Code | Beschrijving | Aant. | Varianten |
|------|------------|---------------------------------|-------|-----------|
| 1 | AP8120912 | Rubbertje voor hendel | 1 | |
| 2 | 887908 | Pedaaltje | 1 | |
| 3 | 2B003336 | Achterremhendel | 1 | |
| 4 | 859946 | Pin koppeling | 3 | |
| 5 | 895328 | Gesinterde huls | 1 | |
| 6 | AP8144007 | OR-ring 11,11x1,78 | 2 | |
| 7 | 884033 | Pin hendel | 1 | |
| 8 | GU92630206 | Dado autobloccante M6x1 | 2 | |
| 9 | 2B002189 | Achterrempomp met tank | 1 | |
| 10 | GU92606206 | Moer | 1 | |
| 11 | AP8120178 | OR-ring OR112 | 1 | |
| 12 | AP8113081 | Vork | 1 | |
| 13 | AP8113082 | Clips voor vork versnellingsbak | 1 | |
| 14 | 2D0002805 | Stopknop | 1 | |
| 15 | AP8150285 | Binnenzeskantbout M6x35 | 2 | |
| 16 | AP8121927 | Veer hendel achterrem | 1 | |

| | |
|---------------------|-----------------------|
| Groep | Reminstallatie |
| Code | 06.040 |
| Beschrijving | Tang van de achterrem |
| Revisie | 1 |



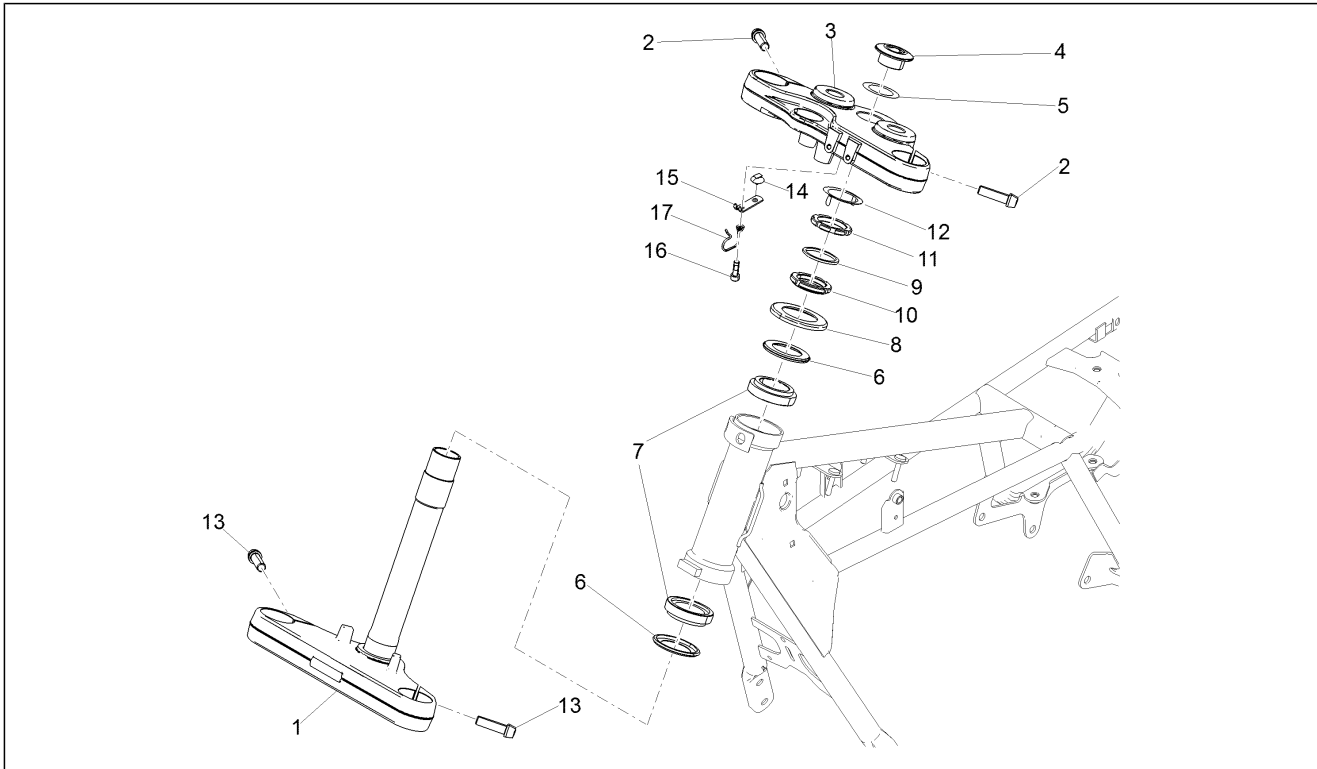
| Pos. | Code | Beschrijving | Aant. | Varianten |
|------|------------|-----------------------------|-------|-----------|
| 1 | 2B000525 | Tang van de achterrem | 1 | |
| 2 | GU32634160 | Afstandhouder | 1 | |
| 3 | 2B003338 | Brake caliper support plate | 1 | |
| 4 | GU31634281 | Beslagring | 1 | |
| 5 | AP8152288 | Zeskantbout geflenst M8x30 | 2 | |
| 6 | GU31659281 | Ontluchting+kapje | 1 | |
| 7 | GU31659181 | Kit pinnen+veer | 1 | |
| 8 | 2R000248 | Koppel remblokken | 1 | |

| | |
|---------------------|--------------------|
| Groep | Reminstallatie |
| Code | 06.050 |
| Beschrijving | Reminstallatie ABS |
| Revisie | 1 |



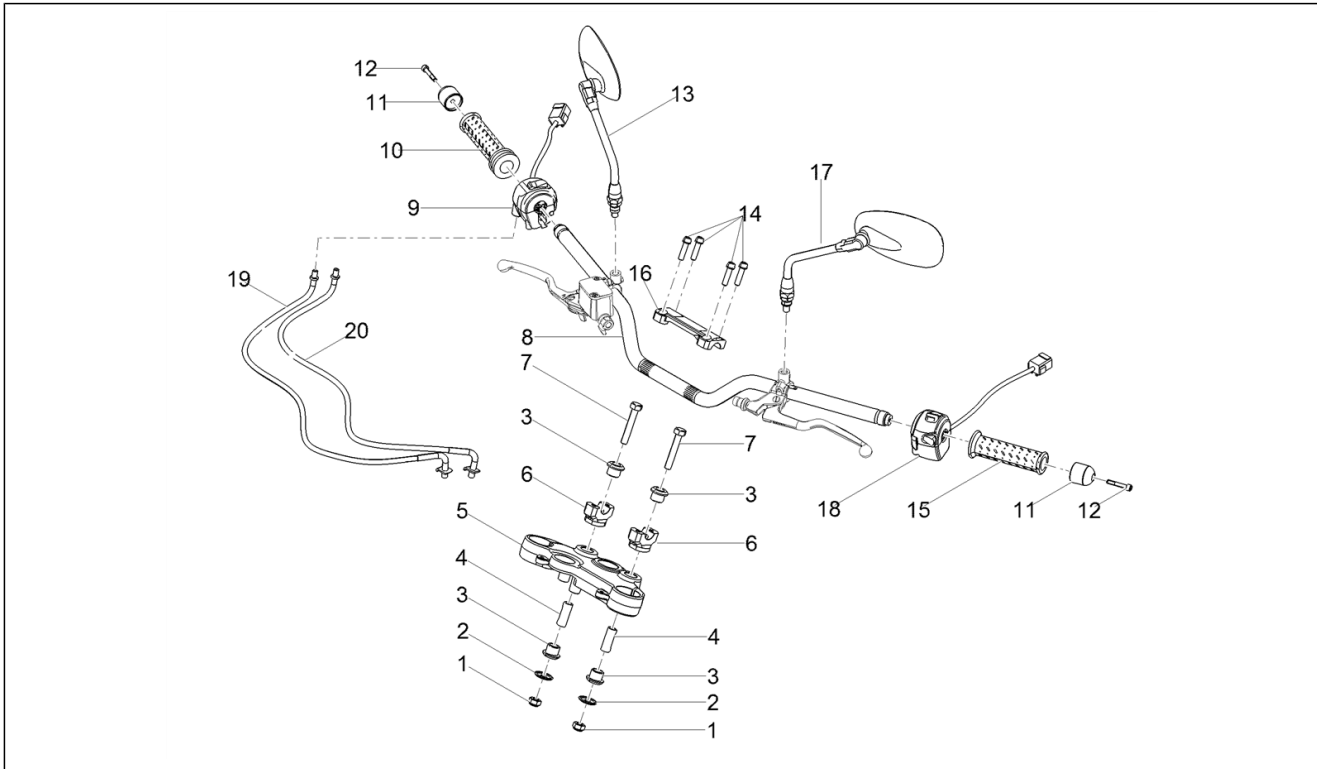
| Pos. | Code | Beschrijving | Aant. | Varianten |
|------|-------------|-----------------------------------|-------|-----------|
| 1 | 2D000102 | Centrale ABS | 1 | |
| 2 | 2B001557 | Leiding pomp voor. centrale ABS | 1 | |
| 3 | 2B001558 | Leiding tangen voor. centrale ABS | 1 | |
| 4 | 2B003325 | Leiding tang achter. centrale ABS | 1 | |
| 5 | 2B003327 | Leiding pomp achter. centrale ABS | 1 | |
| 6 | AP8113004 | Sluitring 10x14x1,6* | 8 | |
| 7 | AP8113003 | Bout olieleiding | 4 | |
| 8 | 2B001570 | Houder remleiding | 1 | |
| 9 | AP8221023 | 'T'-vormige huls | 3 | |
| 10 | AP8120030 | Rubbetje | 3 | |
| 11 | 00H02402282 | Bout 6X20 | 3 | |
| 12 | AP8150015 | Sluitring 6,6x18x1,6* | 2 | |
| 13 | 2B003056 | Steunbeugel centrale | 1 | |
| 14 | 2B001564 | Steunplaat remleiding | 1 | |
| 15 | 2B001614 | Bevest.plaat buizen | 1 | |
| 16 | AP8152043 | Binnenzeskantbout M4x10 | 1 | |
| 17 | GU03658330 | Klemmetje | 1 | |
| 18 | 895709 | Binnenzeskantbout M5x12 | 1 | |
| 19 | AP8150451 | Zelfborg. moer laag | 1 | |
| 20 | GU03658201 | Ring | 1 | |
| 21 | AP8121882 | Kabelgeleider | 1 | |
| 22 | 2B000276 | Kram | 2 | |
| 23 | 2B004471 | | 1 | |
| 24 | AP8152239 | Bout M5 | 1 | |
| 25 | AP8120001 | Rubbetje | 1 | |
| 26 | AP8102386 | Klemmetje 155x2 | 1 | |
| 27 | AP8150500 | Bolbout met binnenzeskant M5x9 | 1 | |
| 28 | 2B004458 | | 1 | |

| | |
|---------------------|--------------------|
| Groep | Stuur - Commando's |
| Code | 07.010 |
| Beschrijving | Stuur |
| Revisie | 1 |



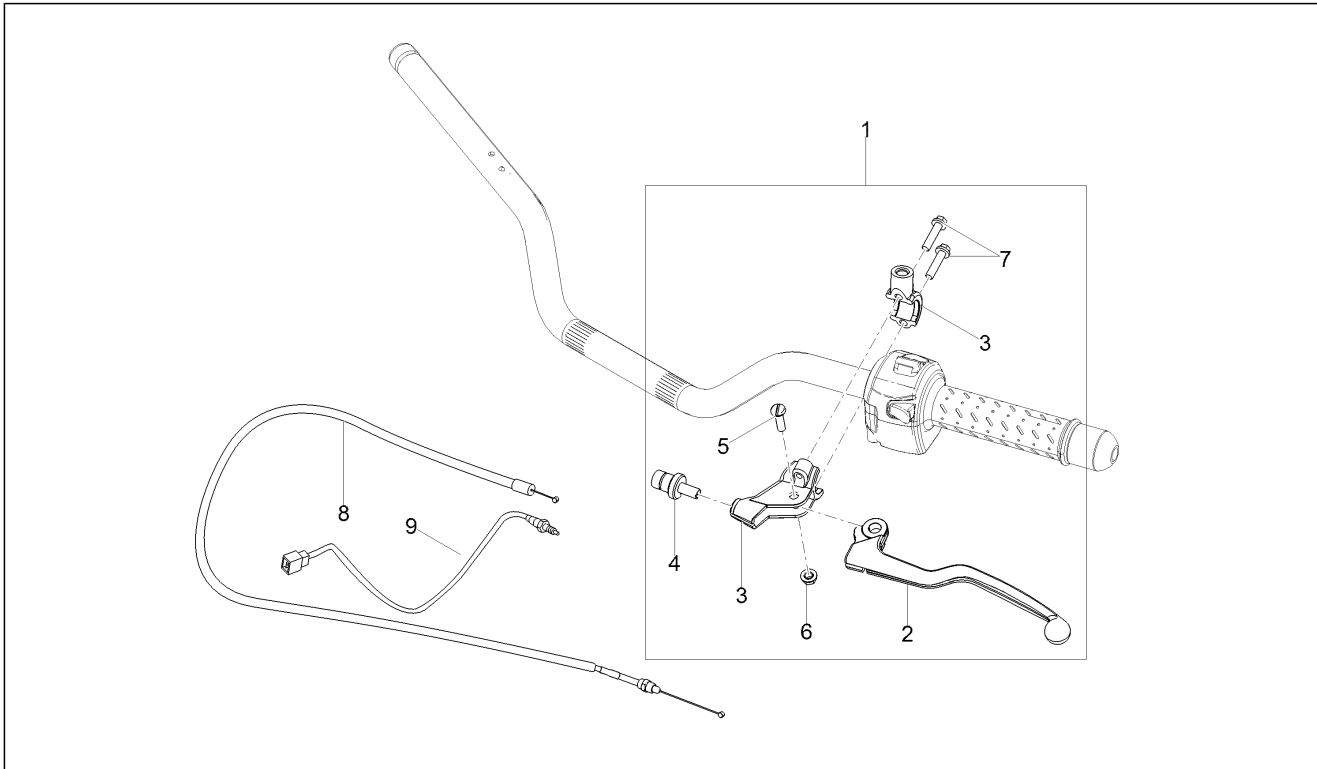
| Pos. | Code | Beschrijving | Aant. | Varianten |
|------|-----------|--------------------------|-------|-----------|
| 1 | 2B003791 | Plaat onderaan vork | 1 | |
| 2 | AP8150543 | Bout tcc M8x35 | 2 | |
| 3 | 2B003250 | Bovenste stuurplaat | 1 | |
| 4 | AP8121205 | Huls bevest. plaat bov. | 1 | |
| 5 | AP8152384 | Sluitring dop kop | 1 | |
| 6 | AP8123641 | Stofkeerring | 2 | |
| 7 | AP8110077 | Kogellager axiaal | 2 | |
| 8 | AP8123644 | Stofkeerring | 1 | |
| 9 | 887831 | Vulstuk rubber | 1 | |
| 10 | AP8123642 | Moer | 1 | |
| 11 | AP8123643 | Tegenmoer | 1 | |
| 12 | 887832 | Veiligheidsplaatje stuur | 1 | |
| 13 | 2B002313 | Bout tcc M10x35 | 2 | |
| 14 | 890760 | Steun connector | 1 | |
| 15 | 2B003292 | Plaatje | 1 | |
| 16 | 319446 | Binnenzeskantbout M6x10 | 1 | |
| 17 | 2B003833 | Kabelwartel | 1 | |

| | |
|---------------------|--------------------|
| Groep | Stuur - Commando's |
| Code | 07.020 |
| Beschrijving | Stuur - Commando's |
| Revisie | 1 |



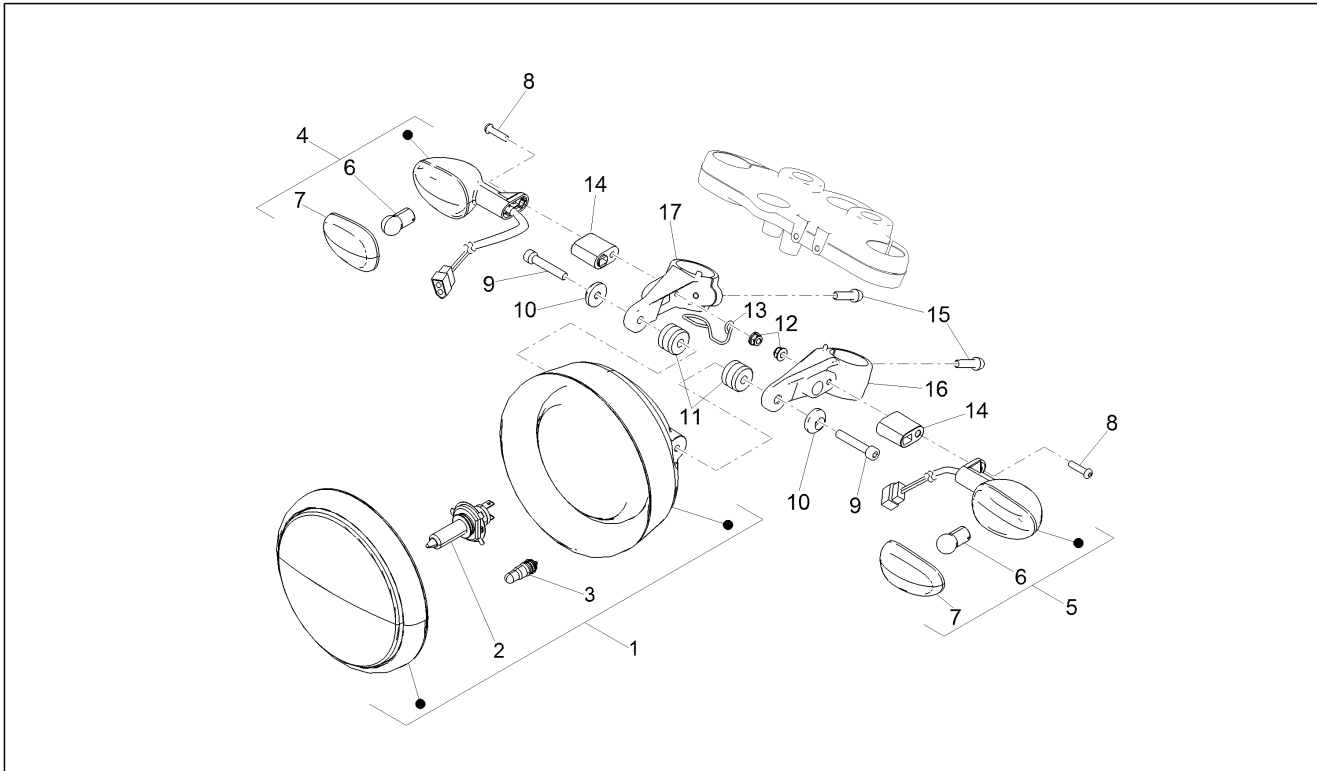
| Pos. | Code | Beschrijving | Aant. | Varianten |
|------|------------|---|-------|-----------|
| 1 | AP8152301 | Zelfborg.bout gefl. | 2 | |
| 2 | 2B002875 | Klepsteel keerring | 2 | |
| 3 | AP8144222 | Rubbetje | 4 | |
| 4 | 854827 | Afstandhouder 10,1x14,1x38 | 2 | |
| 5 | 2B003250 | Bovenste stuurplaat | 1 | |
| 6 | 2B003965 | Klem onderaan stuur | 2 | |
| 7 | AP8150049 | Bout M10x60 | 2 | |
| 8 | 978960 | Stuur | 1 | |
| 9 | 2D000308 | Comando dx con Mode | 1 | |
| 10 | GU32603310 | Handvat re | 1 | |
| 11 | GU32602860 | Antitrilgewicht v.cromo | 2 | |
| 12 | 2B002195 | Pre-geïmpregneerde binnenzeskantbout IX M6X35 | 2 | |
| 13 | 2B003835 | Achteruitkijkspiegel re | 1 | |
| 14 | AP8150540 | Bout tcc | 4 | |
| 15 | GU32603010 | Handvat li | 1 | |
| 16 | 2B004525 | Klem bovenaan stuur | 2 | |
| 17 | 2B003836 | Achteruitkijkspiegel li | 1 | |
| 18 | 2D000307 | | 1 | |
| 19 | 887852 | Kabel opening gas | 1 | |
| 20 | 887853 | Kabel sluiting gas | 1 | |

| | |
|---------------------|---------------------------|
| Groep | Stuur - Commando's |
| Code | 07.030 |
| Beschrijving | Commando van de koppeling |
| Revisie | 1 |



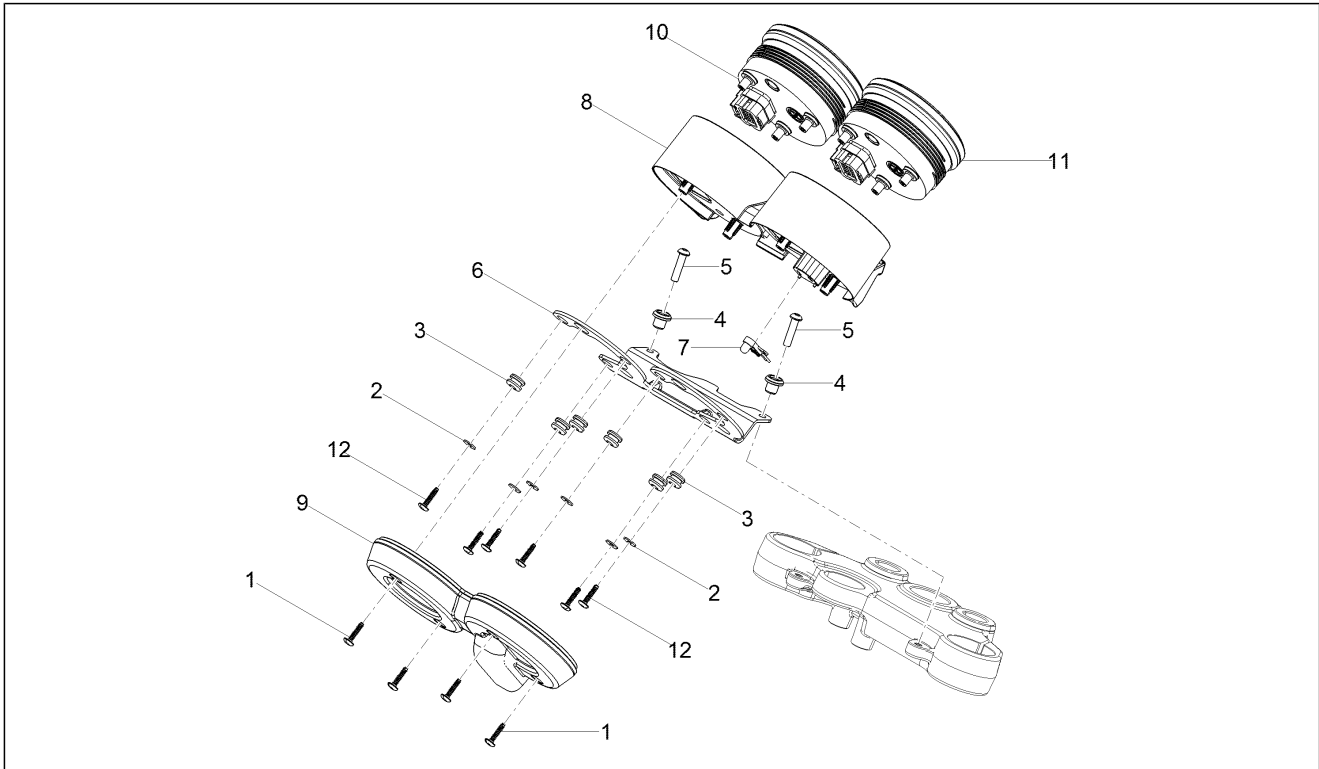
| Pos. | Code | Beschrijving | Aant. | Varianten |
|------|------------|---------------------------------|-------|-----------|
| 1 | 2B002391 | Groep commandohendel koppeling | 1 | |
| 2 | 2B002390 | Commandohendel van de koppeling | 1 | |
| 3 | GU30601060 | Klem | 1 | |
| 4 | GU30602500 | Register | 1 | |
| 5 | AP8213028 | Bout | 1 | |
| 6 | AP8213388 | Zelfborg.moer | 1 | |
| 7 | GU97202325 | Zeskantbout gefl.zwart M6x25 | 2 | |
| 8 | 2B002961 | Kabel koppeling | 1 | |
| 9 | 2D0002885 | Schakelaar koppeling | 1 | |

| | |
|---------------------|--------------------------------|
| Groep | Voorverlichting - Instrumenten |
| Code | 08.010 |
| Beschrijving | Voorverlichting |
| Revisie | 1 |



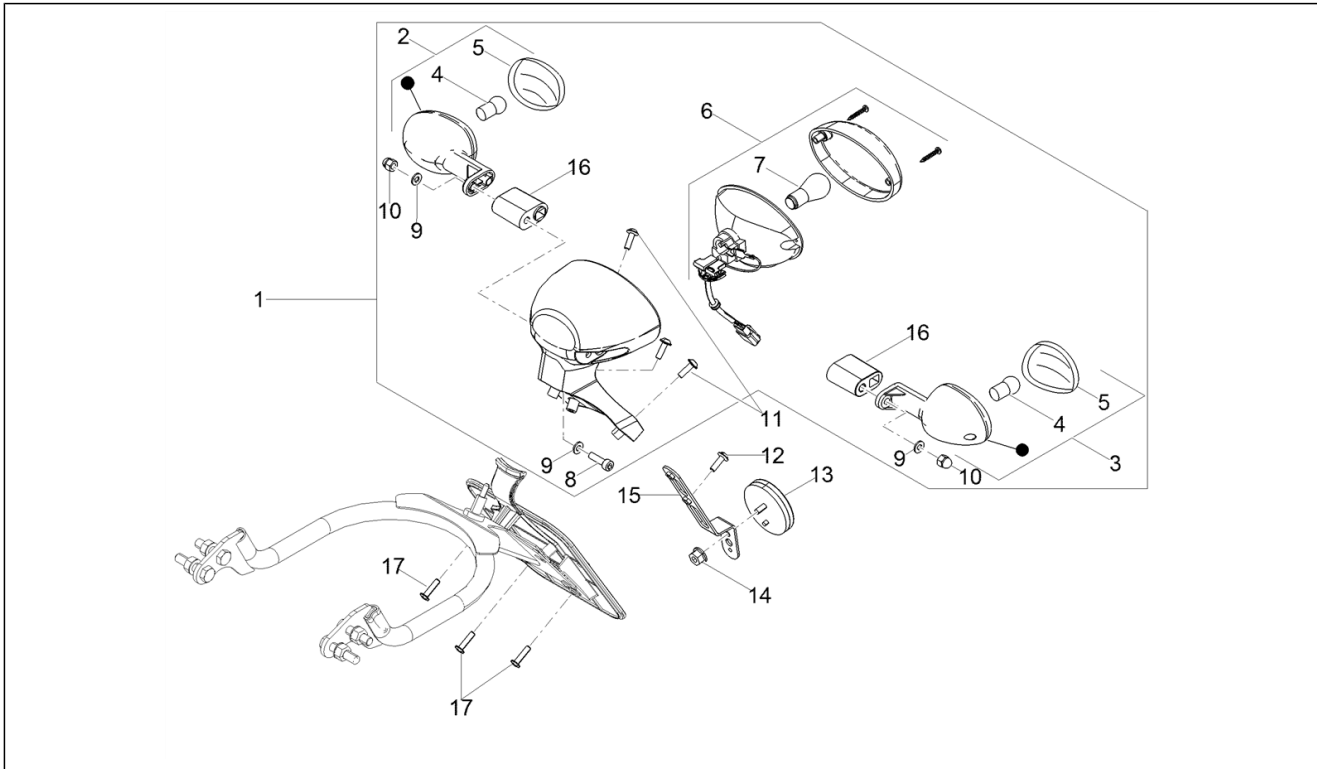
| Pos. | Code | Beschrijving | Aant. | Varianten |
|------|------------|-------------------------------|-------|-----------|
| 1 | 2D000225 | Voorlicht | 1 | |
| 2 | 292723 | Lamp H4 12V-60/55W | 1 | |
| 3 | 292022 | Lamp 12V-5W | 1 | |
| 4 | 2D000261 | Richtingaanw. voor. re | 1 | |
| 5 | 2D000262 | Richtingaanw. voor. li | 1 | |
| 6 | 584332 | Lamp 12V-10W | 2 | |
| 7 | 639338 | Glasje richtingaanwijzer | 2 | |
| 8 | GU98690435 | Binnenzeskantbout M8x35 | 2 | |
| 9 | GU98690445 | Bout M8x45 | 2 | |
| 10 | AP8134378 | Huls bevestiging geluiddemper | 2 | |
| 11 | 2B003342 | Afstandsbus voorlicht | 2 | |
| 12 | AP8152299 | Zelfborg.bout gefl. M6 | 2 | |
| 13 | 2B003832 | Kabelwartel | 1 | |
| 14 | GU32753410 | Afstandhouder | 2 | |
| 15 | AP8150053 | Binnenzeskantbout M6x25 | 2 | |
| 16 | 2B001231 | Houder links voorlicht | 1 | |
| 17 | 2B001182 | Houder rechts voorlicht | 1 | |

| | |
|---------------------|--------------------------------|
| Groep | Voorverlichting - Instrumenten |
| Code | 08.020 |
| Beschrijving | Instrumenten |
| Revisie | 1 |



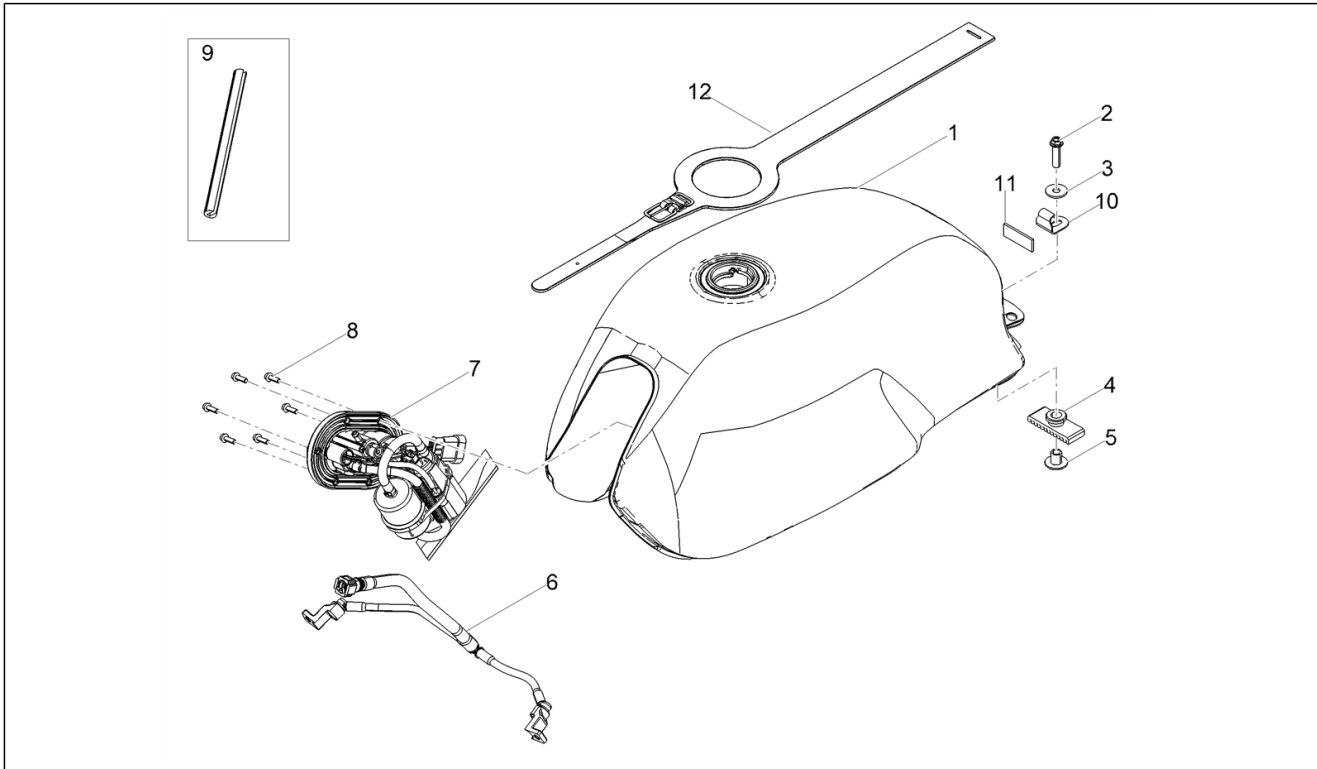
| Pos. | Code | Beschrijving | Aant. | Varianten |
|------|-----------|-------------------------|-------|-----------|
| 1 | CM178609 | Zelftap. bout | 4 | |
| 2 | 013763 | Vlakke rondel 4,2x12x1 | 6 | |
| 3 | 2B003367 | Kabelwartel | 6 | |
| 4 | 2B003851 | 'T'-huls | 2 | |
| 5 | AP8152117 | Vite TBEI M6x25 | 2 | |
| 6 | 2B003586 | Steunplaat | 1 | |
| 7 | AP8124936 | Sensor luchttemperatuur | 1 | |
| 8 | 2B003631 | Cover superiore | 1 | |
| 9 | 2B003711 | Cover inferiore | 1 | |
| 10 | 2D000294 | Cruscotto con scala RPM | 1 | |
| 11 | 2D000295 | Cruscotto km/h | 1 | |
| 12 | 270793 | Bolschroef | 6 | |

| | |
|---------------------|--------------------------------|
| Groep | Voorverlichting - Instrumenten |
| Code | 08.030 |
| Beschrijving | Achterste verlichting |
| Revisie | 1 |



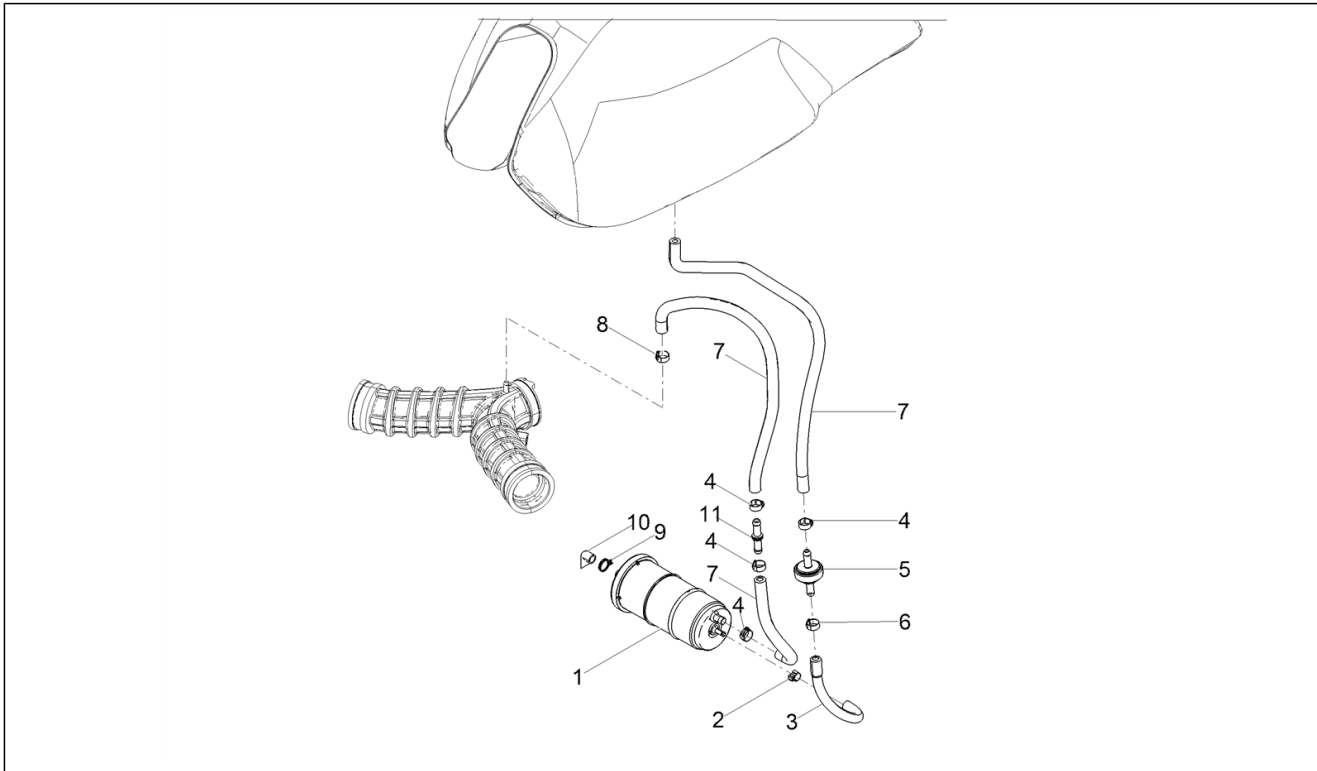
| Pos. | Code | Beschrijving | Aant. | Varianten |
|------|------------|---|-------|-----------|
| 1 | 2D000347 | Achterlicht | 1 | |
| 2 | 2D000368 | Richtingaanwijzer acht. re | 1 | |
| 3 | 2D000369 | Richtingaanw. acht. li | 1 | |
| 4 | 584332 | Lamp 12V-10W | 2 | |
| 5 | 639338 | Glasje richtingaanwijzer | 2 | |
| 6 | 2B001748 | Achterlicht | 1 | |
| 7 | GU93450224 | Lamp | 1 | |
| 8 | GU98370655 | Bolbout met binnenzeskant | 2 | |
| 9 | GU95005306 | Sluitring 6,4x13x1,5 | 4 | |
| 10 | GU92787006 | Moer blind M6x1 | 2 | |
| 11 | AP8152298 | Bolbout met binnenzeskant, geflenst M5x16 | 3 | |
| 12 | AP8152268 | Speciale bolbout met binnenzeskant M5x16 | 2 | |
| 13 | AP8224164 | Reflector rood | 1 | |
| 14 | AP8152306 | Zelfborg.bout gefl. M5 | 1 | |
| 15 | AP8134448 | Houder reflector | 1 | |
| 16 | GU32753410 | Afstandhouder | 2 | |
| 17 | AP8152329 | Bout SWP kruiskop gefl. M5x20 | 3 | |

| | |
|---------------------|-------------|
| Groep | Tank |
| Code | 09.010 |
| Beschrijving | Benzinetank |
| Revisie | 1 |



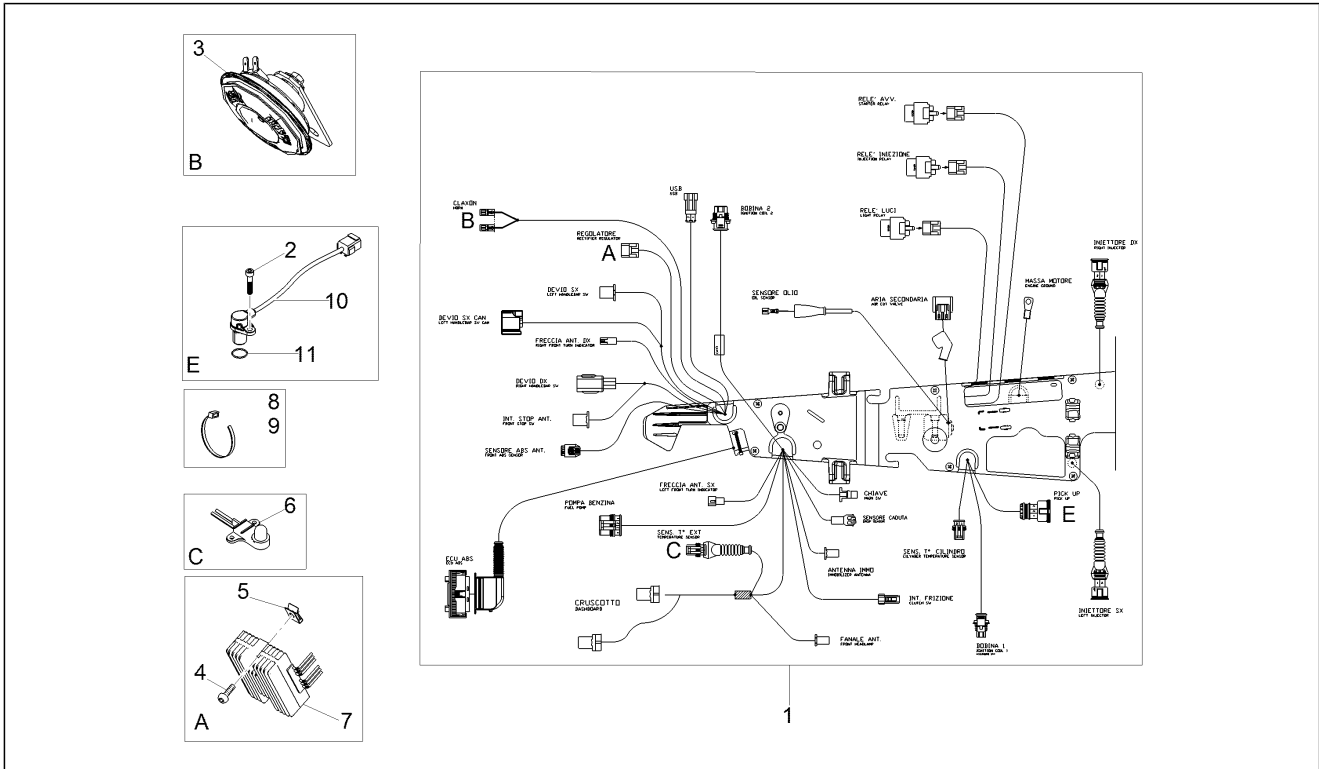
| Pos. | Code | Beschrijving | Aant. | Varianten |
|------|---------------|----------------------------|-------|--|
| 1 | 2B003435 | Brandstoftank ruw | 1 | kleur:Onbewerkt[GR] |
| 1 | 2H0018555 | Benzinetank | 1 | Technische specificatie:Met decalco[D] |
| 2 | AP8152288 | Zeskantbout geflenst M8x30 | 1 | |
| 3 | GU14615901 | Sluitring 8,4X13X0,8 | 1 | |
| 4 | AP8120557 | Rubbertje tank | 1 | |
| 5 | AP8121332 | Huls | 1 | |
| 6 | 2B002486 | Brandstofvoerleidingen | 1 | |
| 7 | 1D001450 | Brandstofpomp | 1 | |
| 8 | 2B002567 | Bout TEFL M5X16 | 6 | |
| 9 | 2B000909 | Pakking | 1 | |
| 9 | 2B000909 | Pakking | 1 | |
| 10 | 2S000856 | Haak benzinetank | 1 | |
| 11 | CM017710 | Pakking | 1 | |
| 12 | 2B003946000C2 | | 1 | |

| | |
|---------------------|----------------------------------|
| Groep | Tank |
| Code | 09.020 |
| Beschrijving | Installatie recup. benzinedampen |
| Revisie | 1 |



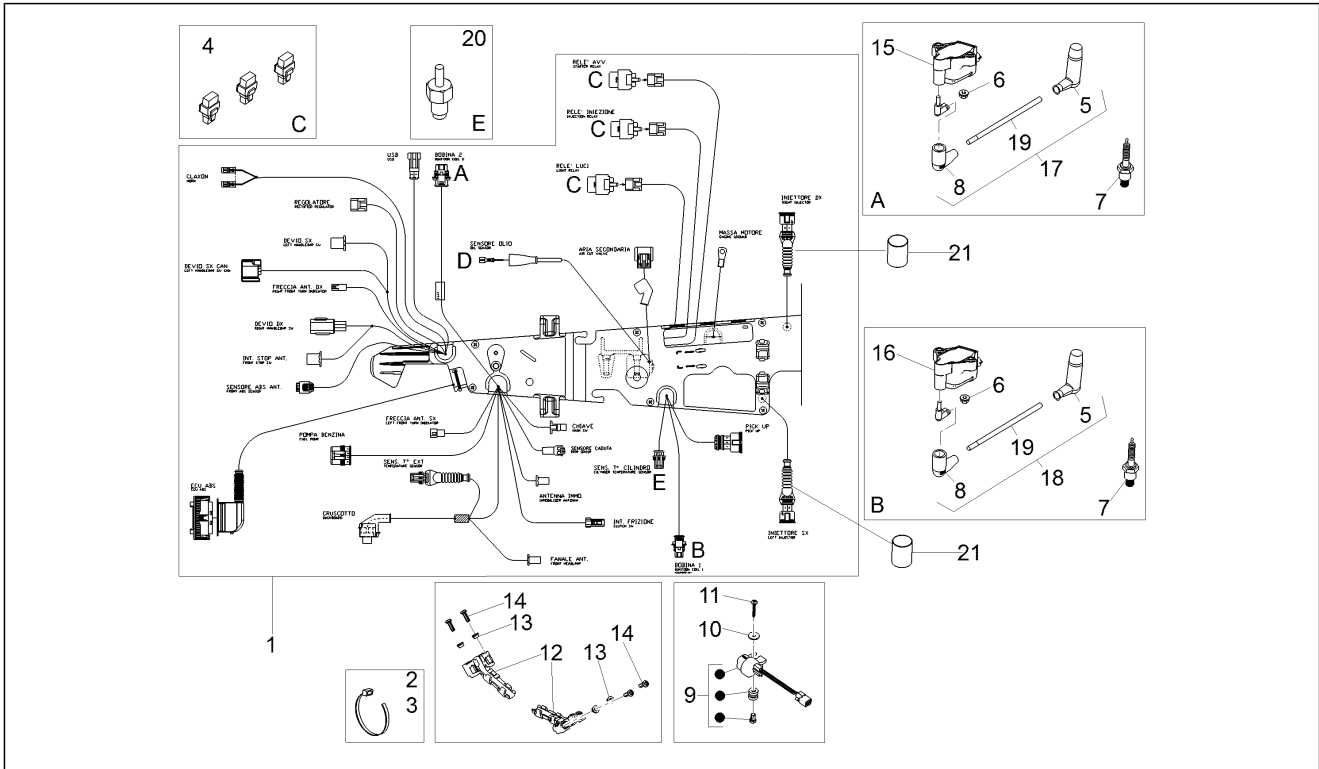
| Pos. | Code | Beschrijving | Aant. | Varianten |
|------|------------|--------------------------|-------|-----------|
| 1 | 2B002632 | Canister | 1 | |
| 2 | AP8102738 | Klembandje buis | 1 | |
| 3 | 2B003042 | Leiding SAE 30 R12A-3/16 | 1 | |
| 4 | AP8102239 | Klemmetje 12,5x8 | 4 | |
| 5 | CM179008 | Veiligheidsklep | 1 | |
| 6 | AP8102159 | Klemmetje | 1 | |
| 7 | 856063 | Buis SAE 30 d.12,7x6,35 | 2 | |
| 8 | GU93304360 | Klemmetje 7,6x380 | 1 | |
| 9 | AP8102520 | Klembandje buis | 1 | |
| 10 | AP8127601 | Pipet ventilatie | 1 | |
| 11 | 2B000219 | Verbinding | 1 | |

| | |
|---------------------|---------------------|
| Groep | Elektr. mechanismen |
| Code | 11.010 |
| Beschrijving | Elektr. inst. voor. |
| Revisie | 1 |



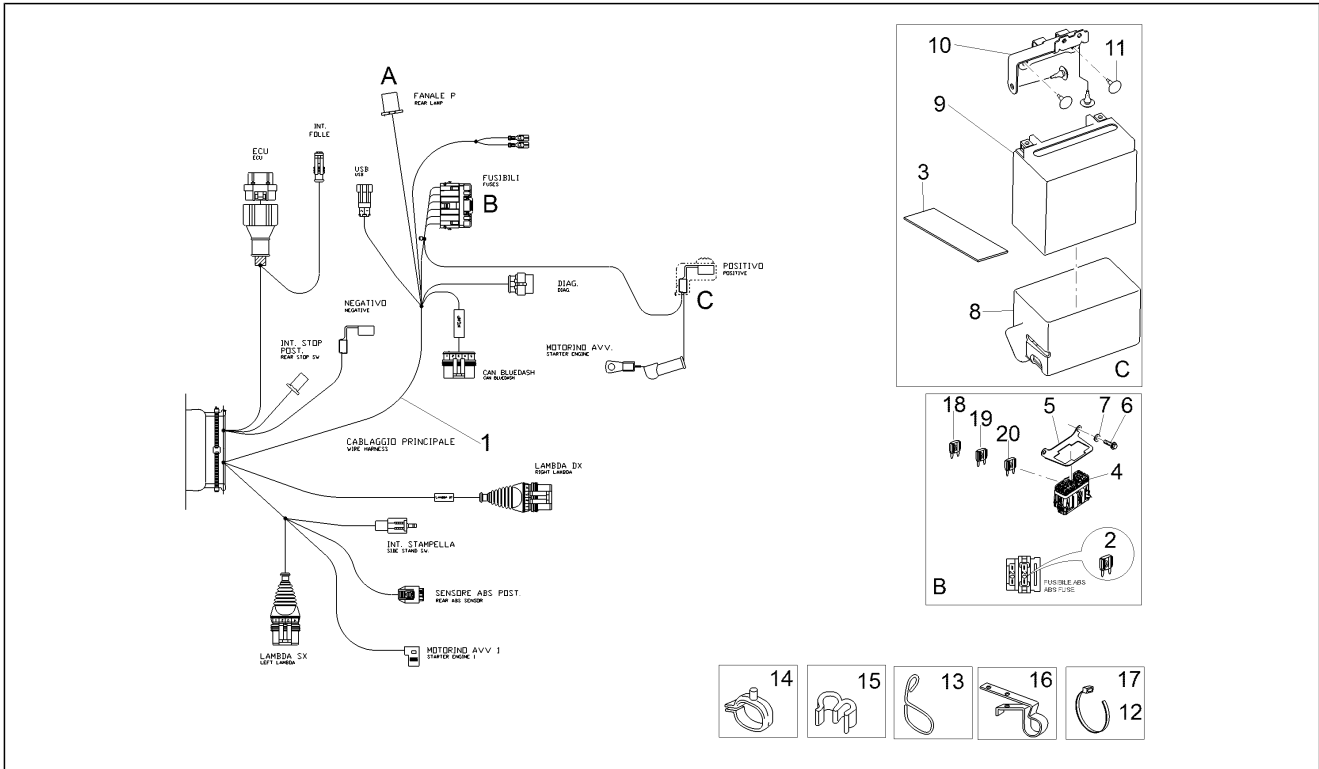
| Pos. | Code | Beschrijving | Aant. | Varianten |
|------|------------|-----------------------------------|-------|-----------|
| 1 | 2D000334 | Hoofdzakelijke bekabeling | 1 | |
| 2 | GU98682314 | Binnenzeskantbout M6x14 | 1 | |
| 3 | 2B000221 | Claxon | 1 | |
| 4 | 1C001499 | Binnenzeskantbout TORX M5x16 INOX | 1 | |
| 5 | 248419 | Spring plate M5 | 1 | |
| 6 | AP8124936 | Sensor luchttemperatuur | 1 | |
| 7 | 1D001549 | Spanningsregelaar | 1 | |
| 8 | GU93304390 | Klemmetje 3,6x375 | 2 | |
| 9 | GU14609650 | Klemmetje 3,6x20,6 | 24 | |
| 10 | 832029 | Snelheidsensor | 1 | |
| 11 | GU90706141 | OR-ring | 1 | |

| | |
|---------------------|---------------------|
| Groep | Elektr. mechanismen |
| Code | 11.020 |
| Beschrijving | Elektr. inst. cent. |
| Revisie | 1 |



| Pos. | Code | Beschrijving | Aant. | Varianten |
|------|------------|-----------------------------|-------|-----------|
| 1 | 2D000334 | Hoofdzakelijke bekabeling | 1 | |
| 2 | GU49609601 | Klemmetje 2,4x92 | 1 | |
| 3 | GU14609650 | Klemmetje 3,6x20,6 | 24 | |
| 4 | AP8224462 | Relais 12V-30A | 3 | |
| 5 | 1A005382 | Blind kapje | 2 | |
| 6 | AP8152299 | Zelfborg.bout gefl. M6 | 4 | |
| 7 | 887481 | Bougie NGK CPR8EB-9 | 2 | |
| 8 | 641040 | Isolerend kapje | 2 | |
| 9 | 680212 | Antikantelsensor | 1 | |
| 10 | GU95005304 | Sluitring 5,2x18x1,5 | 1 | |
| 11 | 478533 | Zelftap. bout | 1 | |
| 12 | 2B002901 | Houder bougiekabel | 2 | |
| 13 | 2B003052 | 'T'-huls | 4 | |
| 14 | 1A003444 | Bolkopschroef | 4 | |
| 15 | 641901 | H.S. bobine | 1 | |
| 16 | 642034 | H.S. bobine DX | 1 | |
| 17 | CM277101 | H.S. kabel (450 mm) | 1 | |
| 18 | CM277102 | H.S. kabel (580 mm) | 1 | |
| 19 | 080341 | H.S. kabel basis | 1 | |
| 20 | 887421 | Temperatuursensor | 1 | |
| 21 | 2D000355 | Cappuccio termorestringente | 1 | |

| | |
|---------------------|---------------------|
| Groep | Elektr. mechanismen |
| Code | 11.030 |
| Beschrijving | Elektr. inst. acht. |
| Revisie | 1 |



| Pos. | Code | Beschrijving | Aant. | Varianten |
|------|------------|---|-------|-----------|
| 1 | 2D000334 | Hoofdzakelijke bekabeling | 1 | |
| 2 | CM225720 | Zekering 20A | 2 | |
| 3 | AP8144552 | Steunrubbertje accu zijd. | 1 | |
| 4 | 584211 | Zekeringendoos | 1 | |
| 5 | 883161 | Steun zek.houder | 1 | |
| 6 | CM179302 | Metrische bout TBC | 2 | |
| 7 | GU95100059 | Sluitring 5,25x14x1,5 | 2 | |
| 8 | 2B002781 | Accukap | 1 | |
| 9 | 638733 | Accu Yuasa YTX14-BS 12V-12Ah (150x87x145) | 1 | |
| 10 | GU06418600 | Bevestigingsplaat accu | 1 | |
| 11 | AP8120001 | Rubbertje | 4 | |
| 12 | GU93304390 | Klemmetje 3,6x375 | 2 | |
| 13 | AP8181140 | Kabelwartel | 1 | |
| 14 | CM013202 | Trekveertje leidingen/kabels | 1 | |
| 15 | 894704 | Kabelwartel | 9 | |
| 16 | B043850 | Klemmetje | 1 | |
| 17 | GU14609650 | Klemmetje 3,6x20,6 | 24 | |
| 18 | CM225705 | Zekering 5A | 2 | |
| 19 | CM225715 | Zekering 15A | 3 | |
| 20 | CM225730 | Zekering 30A | 1 | |